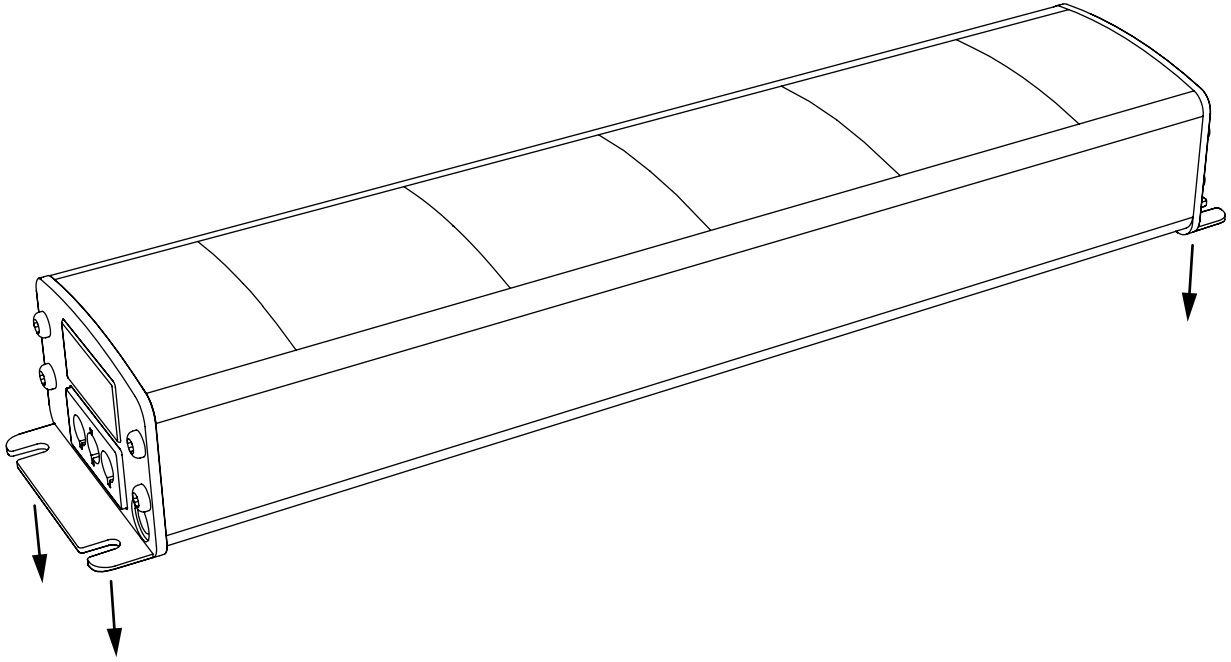


# Sub - Screw Attachment

## O & M Manual

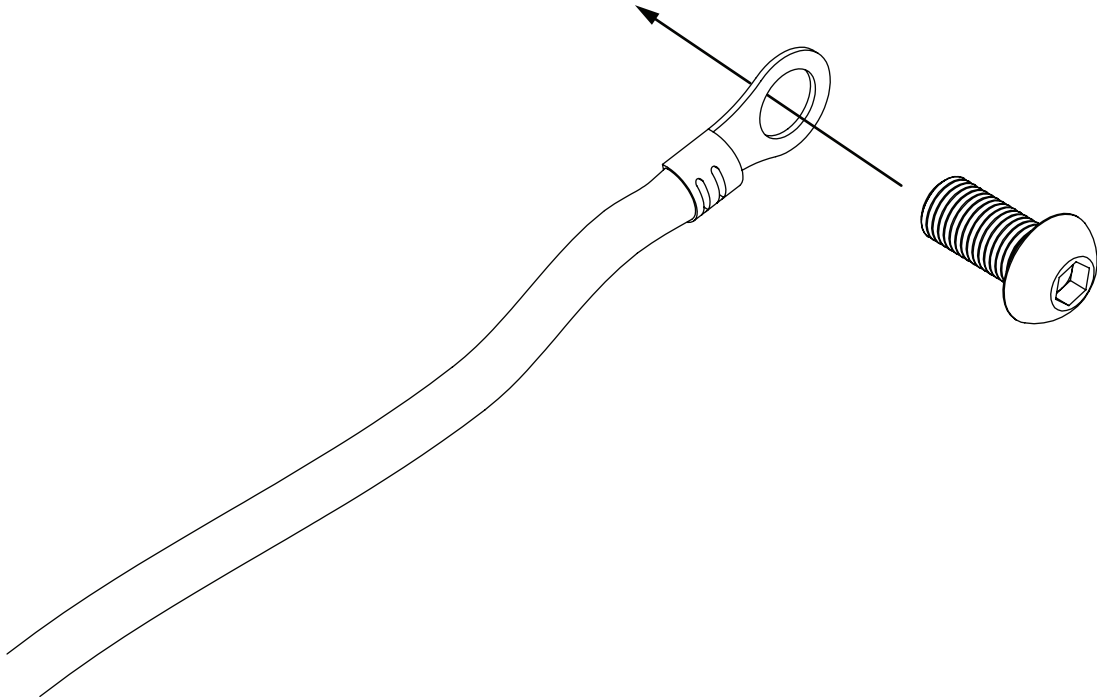
Cleaning Guidelines:  
Only use non-solvent based cleaner  
Do not wet power sockets

1



Attach unit to surface if needed via 4 alignment holes.

2



Where applicable, screw earth lead to terminal.

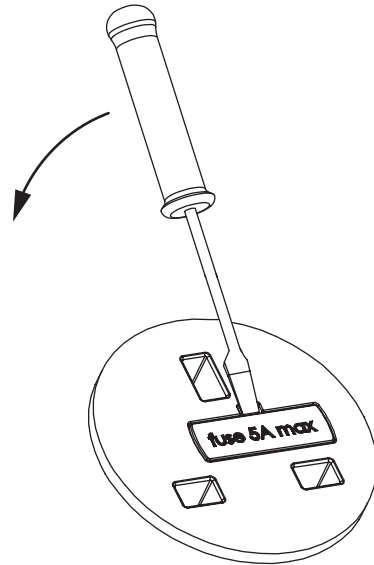
# Fuse - Fuse Changing

## O & M Manual

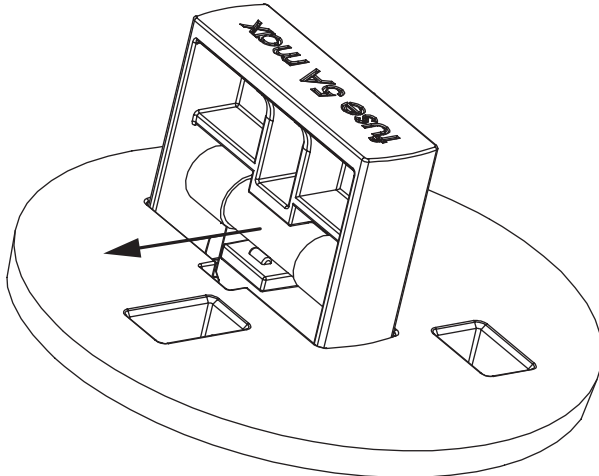
Cleaning Guidelines:  
Only use non-solvent based cleaner  
Do not wet power sockets

1

Unplug unit. Remove fuse holder with screwdriver or similar.



2



Fully open fuse holder and remove fuse. Replace with new fuse.

3

Push closed until fuse holder clicks into place.

