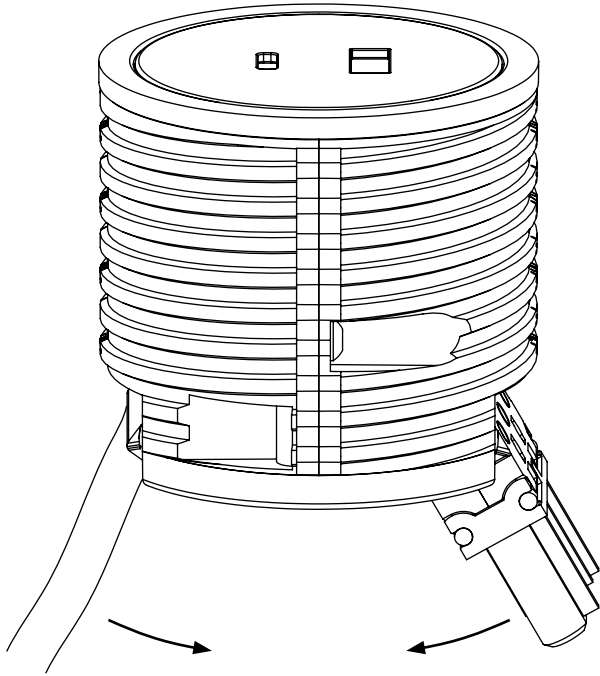


Shot - Level

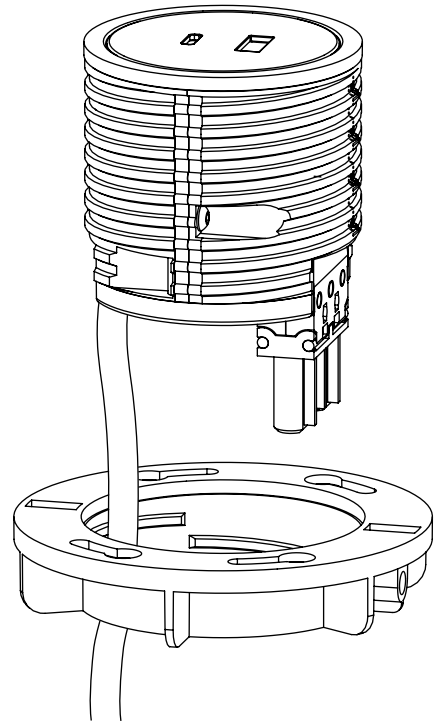
O & M Manual

Cleaning Guidelines:
Only use non-solvent based cleaner
Do not wet power sockets

- 1 Fold power connectors and/ or cables to the down position.

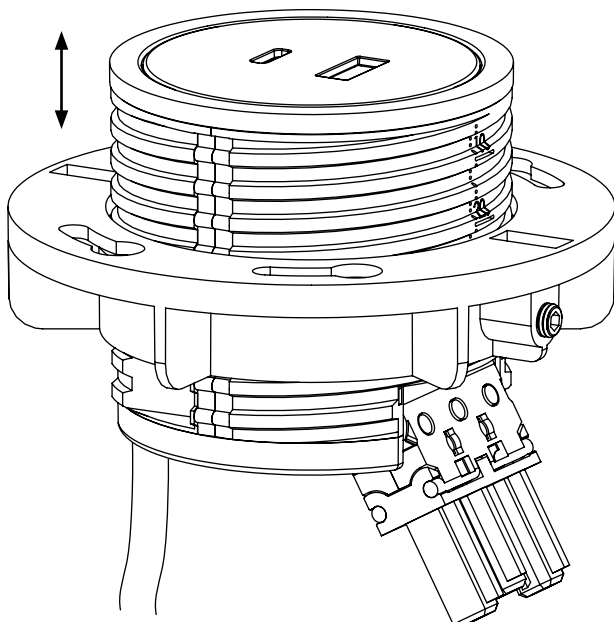


- 2 Feed cables and connectors through screw wheel.



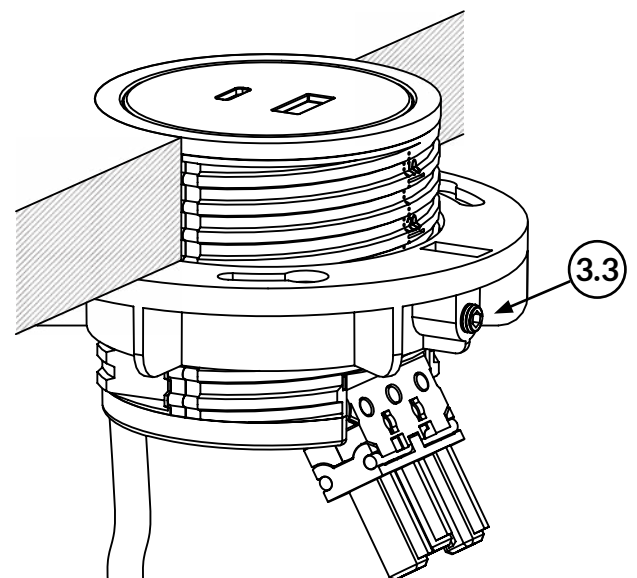
- 3 Set depth of screw wheel.

- 3.1 Use markings on side of unit as a rough guide.

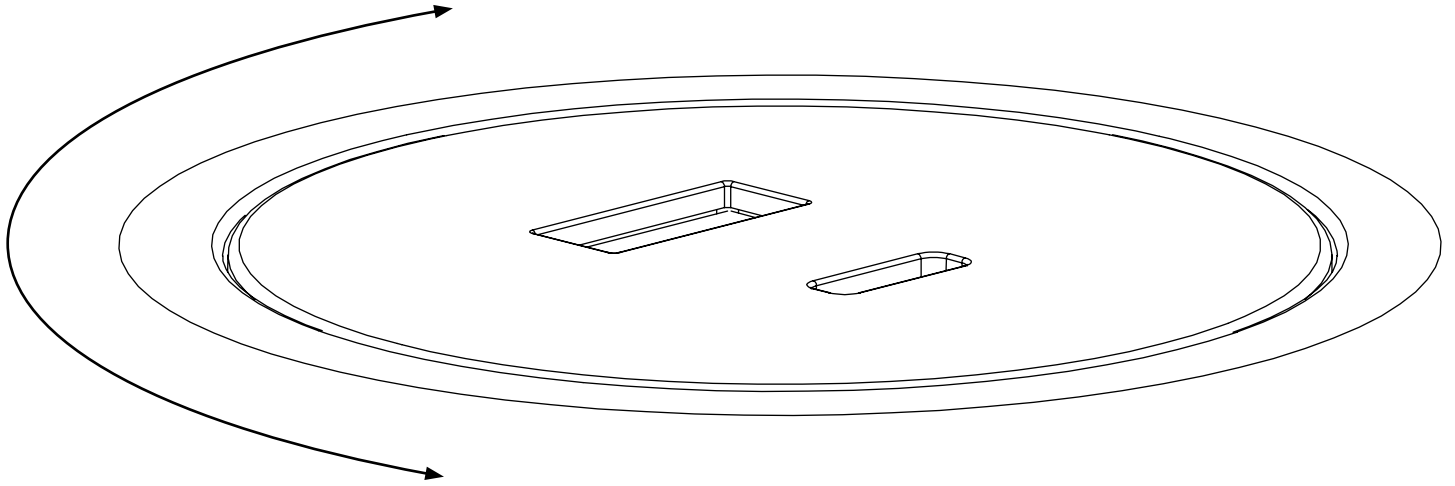


- 3.2 From underside place unit into pre-cut 60mm hole. Turn screw wheel until top of unit is level with worktop.

- 3.3 Fix position of screw wheel by tightening set screws either side.

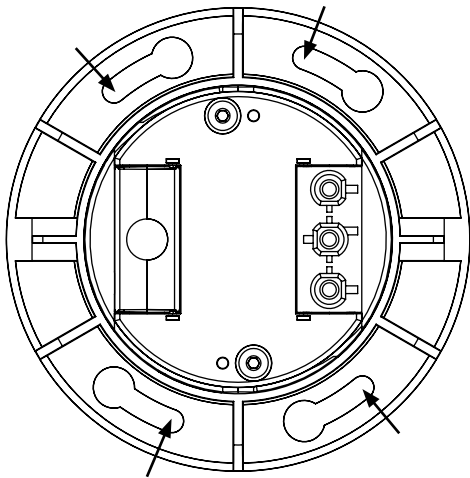


3 Turn unit to desired orientation in worktop.

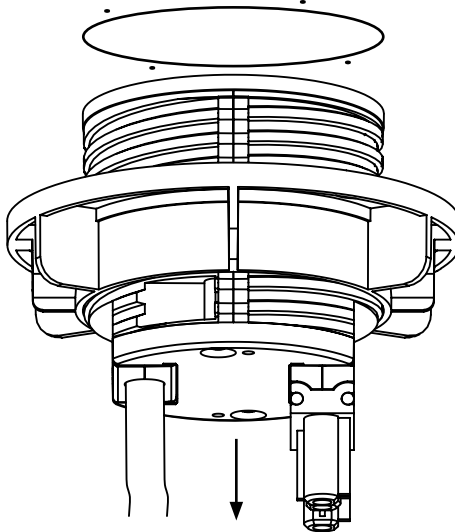


4 Secure unit in position.

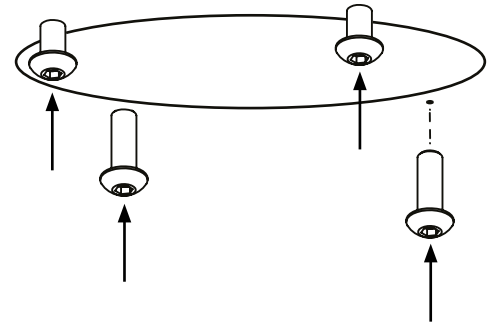
4.1 Mark hole positions.



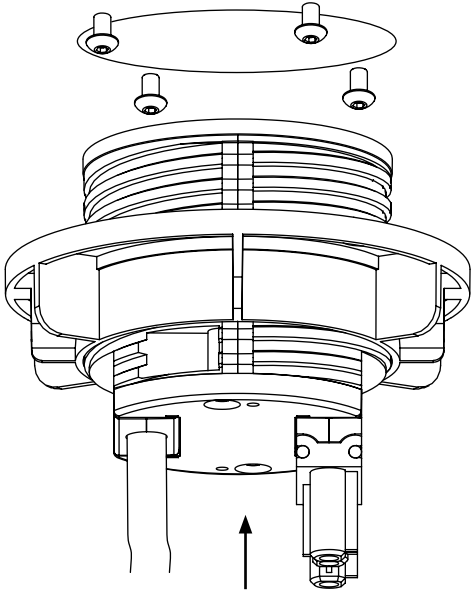
4.2 Remove unit. Drill Pilot Holes



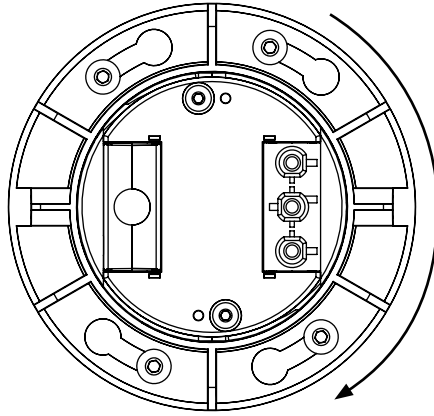
4.3 Half drill screws into holes.



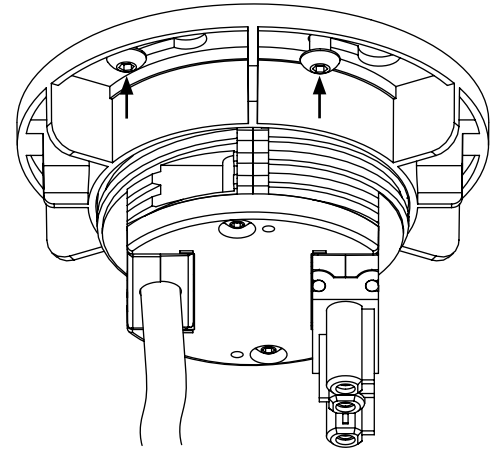
4.4 Place unit back into hole.



4.5 Turn unit to hook onto screws.



4.5 Tighten screws to fix unit in place.



5 Fold connectors as needed to ease cabling/ wiring.

