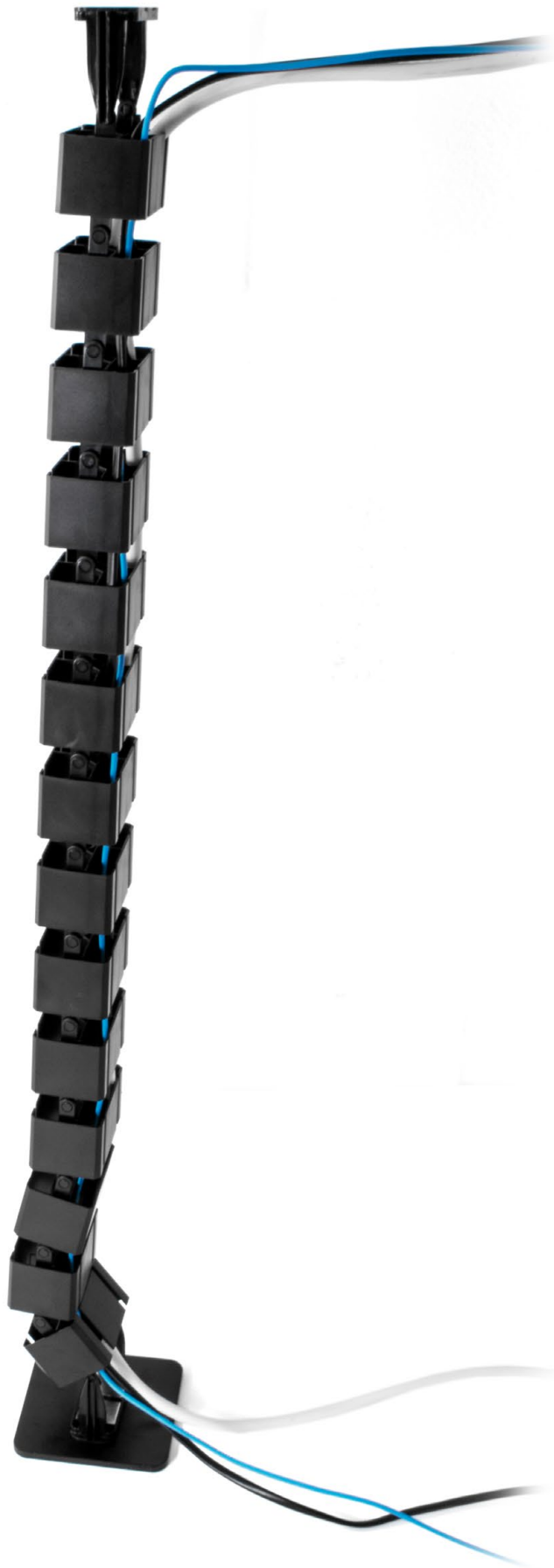


Motion

Cable management



Motion

Cable management

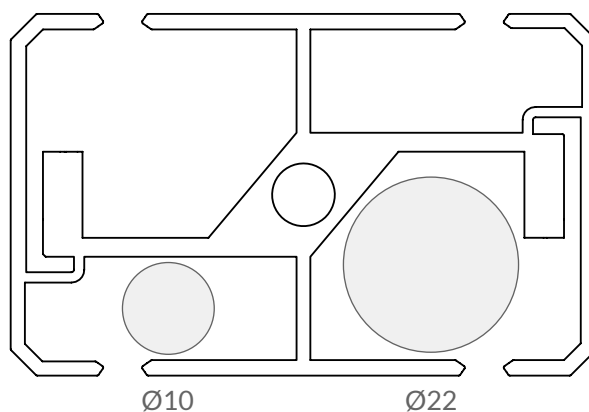


The Motion is a vertical cable management spine which easily transitions from vertical to horizontal hanging and can be fixed using either screws or magnets. The direction of bend can be set at each link and the length can be customised. Motion cable control is perfect for sit stand desking. Pliable flame retardant material makes product easier to fit than most equivalent products.

- Excellent for sit stand work stations
- Easy cable segregation
- Vertical & horizontal cable ways
- Fixable directions
- Magnet & screw attachments included
- Optional weighted base
- Adjustable length



Max Cable Size



*All measurements in mm

4 internal segments allows for thorough organisation and segregation of power and data cables. Includes a weighted base and robust cable clips top & bottom. This is a BS6396 compliant cable spine when installed correctly.