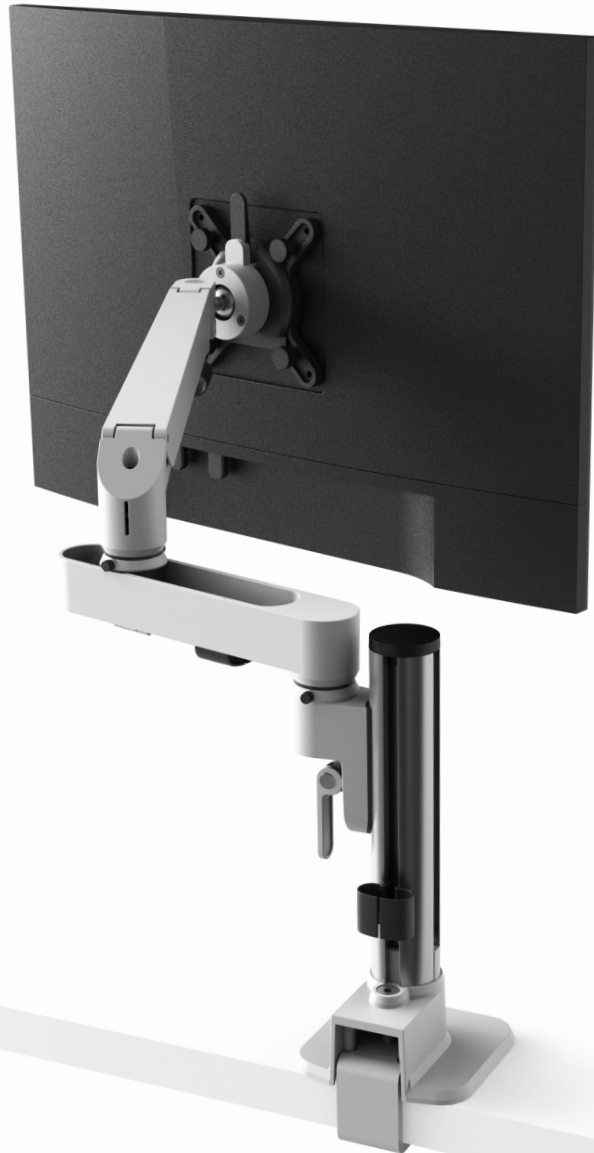


# Morph - Gas Arm

Modular single gas assisted arm



Part of the Morph System:

Morph Gas Arm offers full articulation, infinite height adjustment on the post and the monitor can be set back to touch the post giving unparalleled depth control. Can be up-scaled at any time.

# Morph - Features

## Modular monitor arm

Easy Install Sections of arm slot together without use of hard fixings.

### Fingertip Adjustment

Internal gas spring allows for easy vertical movement of monitors on gas model.

### Full Range of Motion

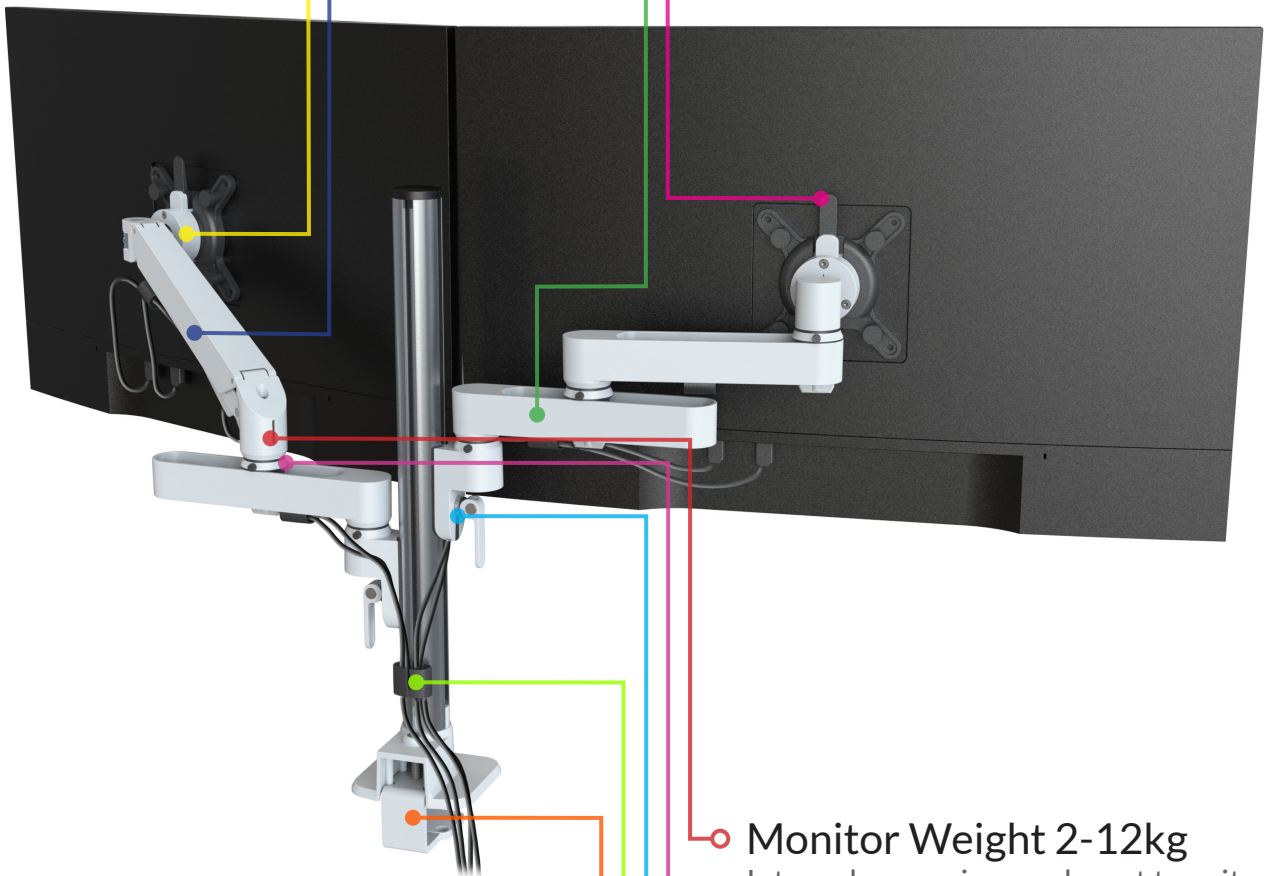
Vesa ball joint allows for vertical & horizontal tilt of 20-30 degrees, including 360° rotation.

### Complete Depth Control

140mm horizontal arm slide gives adjustment without needing to swing the arm back past the edge of the worktop.

### Quick Release Vesa

Simple push release fin to remove monitors.



### Top Loading Clamp

Avoids clashes with under-desk items such as cable trays.

Clamp can also be inset to avoid desk screens, can be bolted through worktops and fit through 80mm grommet holes.

### Cable Management

Clips located on each section provide a neat solution to keep cables organised and accessible when you need them.

### Monitor Weight 2-12kg

Internal gas spring can be set to suit weight of monitor.

### Rotation Stopper

Each element has a stopper to limit the swing of the arm. This prevents arms swinging back and damaging vertical surfaces behind.

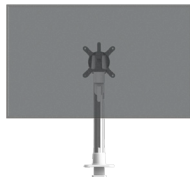
### Easy Height Adjustment

Cam handle release gives a simple way to move the arm vertically on the central pole, maximising the height adjustment range of the arm.

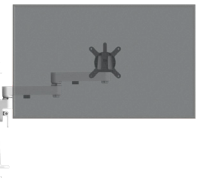
# Morph - Configurations

Modular monitor arm

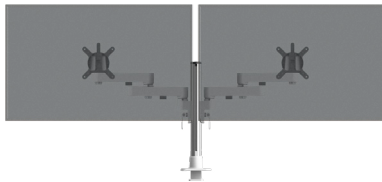
## Pole Arm set-ups



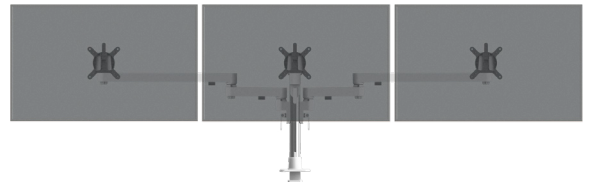
1 Monitor, Pole and Vesa Attachment



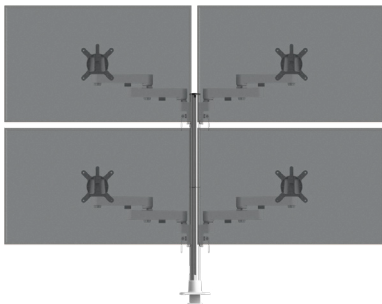
Single Pole Arm



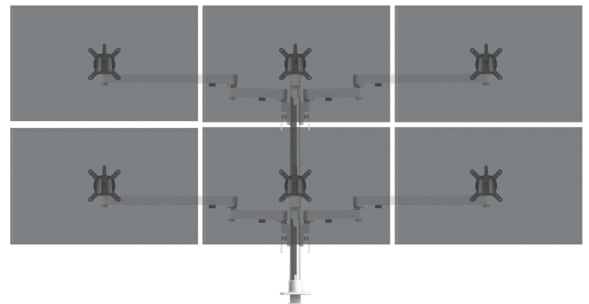
Double Pole Arm



3 Monitor Pole Arm

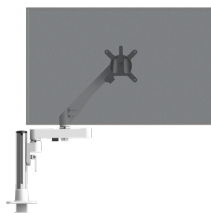


4 Monitor Pole Arm

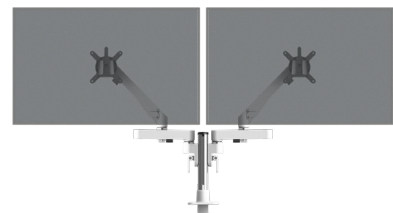


6 Monitor Pole Arm

## Gas Arm set-ups

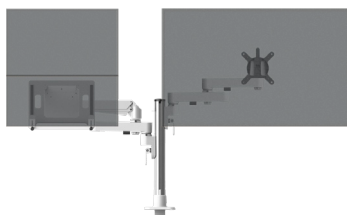


Single Gas Arm

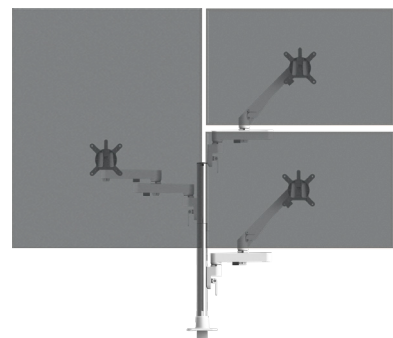


Double Gas Arm

## Mixed Arm set-ups



1 Monitor, 1 Laptop Tray



2 Monitor Pole arm, Single Gas Arm

# Morph - Gas Arm

Modular gas assisted arm

White:



Black:

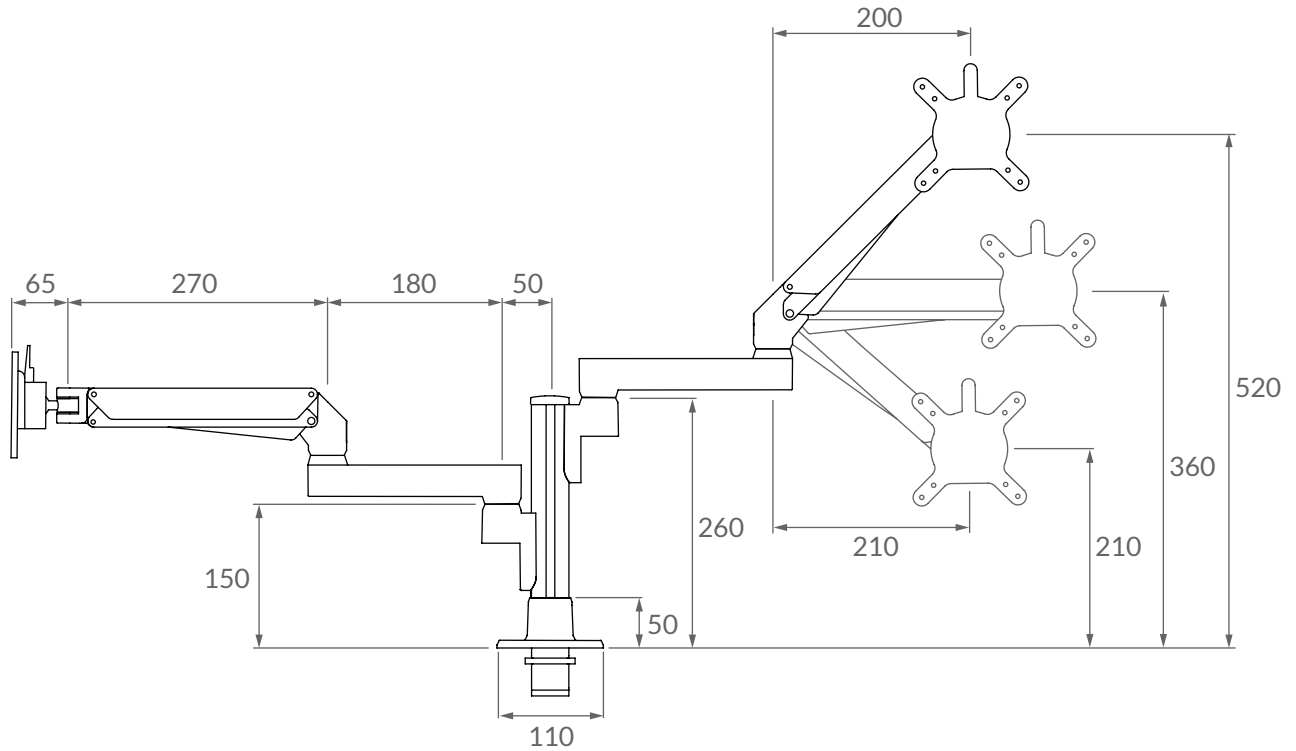


Silver:



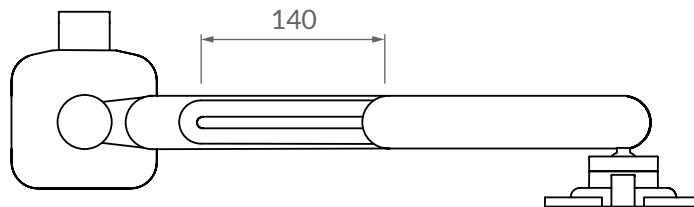
# Morph - Gas Arm

Modular gas assisted arm

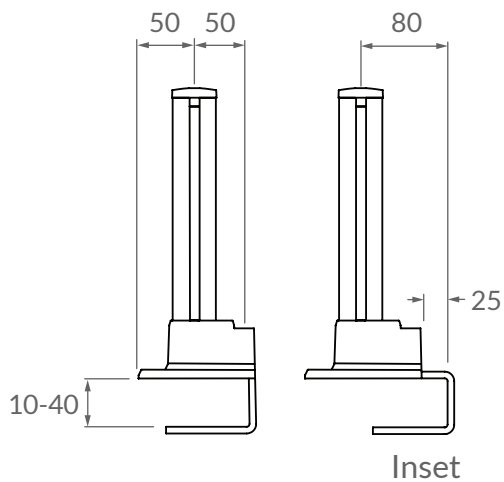


\* All measurements in mm

## Horizontal Arm Slide

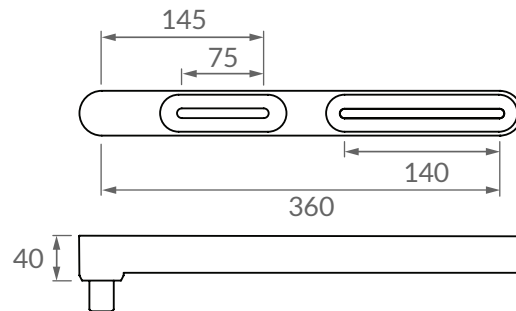


## Base



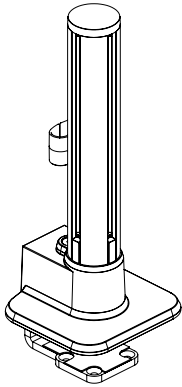
Inset

## Non-standard Arms



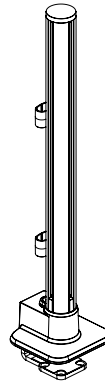
# Morph - Parts

Modular monitor arm



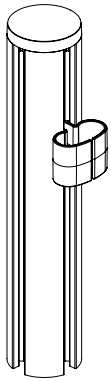
## Short Base

Short Post with Base/ Clamp. Can be extended with additional Post.



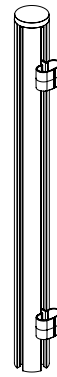
## Long Base

Long Post Section with Base/ Clamp. Can be extended with additional Post.



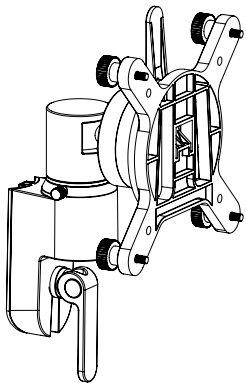
## Post Extension short

Short Post (200mm) with Cable Clip. Can be used to extend Post height.



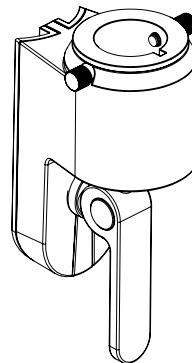
## Post Extension Long

Long Post (450mm) with Cable Clips. Can be used to extend Post height.



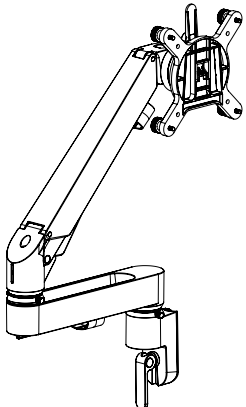
## Post Mount

Fits into post channel 75mm & 100mm Vesa compliant.



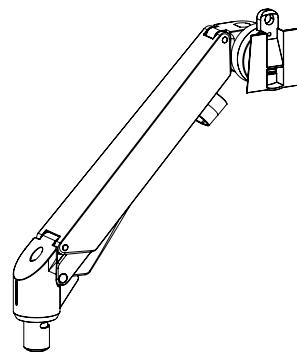
## Socket Slider

Fits into Post channel. Compatible with Arms and Vesa Head.



## Gas Arm

Fits into Long or Short Base.

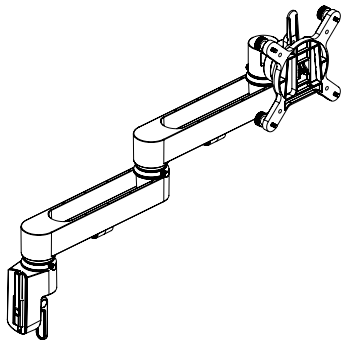


## Gas Section

Compatible with Arm Section and Socket Slider. Can be fitted with Vesa Set.

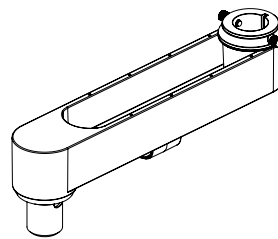
# Morph - Parts

Modular monitor arm



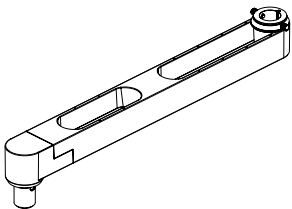
## Post Arm

Fits into post channel on Base. Can be fitted with Additional Arms & Vesa mounts.



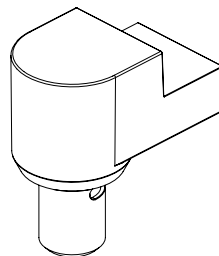
## Arm Section 1

Compatible with Vesa Head, Socket Slider, Gas Section and Arm Section. Can be fitted with additional Arms & Vesa mounts.



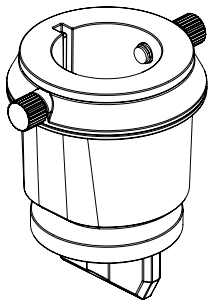
## Arm Section 2

Medium Arm section. Comes with Arm Slider.



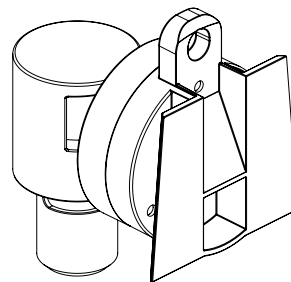
## Connect Element

For use with arm extensions and bespoke solutions.



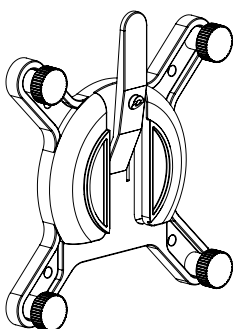
## Arm Slider

Fits into Arms. Can be fitted with additional Arms and Vesa Heads. Slides along track and can be locked in position.



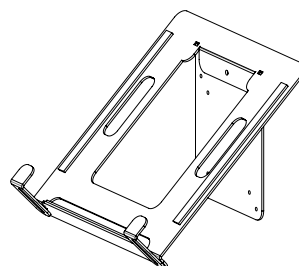
## Vesa Head

Compatible with Socket Sliders and Arm Sliders. Can be fitted with Vesa Set.



## Vesa Set

Compatible with Post and Gas Assisted Arms. 75mm & 100mm Vesa compliant.



## Laptop Tray

Laptop tray, can be fitted to Vesa attachment.