

*Power with Design*

**DESK**  
**GEAR**  
2021

# Contents

## ■ Desktop Modules

---

Module - Outlets	2	Boulder	7
Summit	3	Pebble	9
Median	5	Cobble	11

## ■ In Desk Modules

---

Mirage	13	Eyelet - Square	23
Cove	15	Shot - Outlets	26
Cove Plus	17	Shot - Rise	27
Eyelet - Outlets	20	Shot - Level	29
Eyelet - Round	21		

## ■ Under Desk Modules

---

eLink	31	Sub	34
Slim Line	33		

## ■ Monitor Arms

---

Morph - 100	35	Morph - Post Arm	39
Morph - Features	37	Morph - Gas Arm	43
Morph - Configurations	38	Morph - Parts	47

## ■ Cable Management

---

Motion	49	SnapWrap Pro	57
SnapWrap Jr.	51	SnapWrap Elite	59
SnapWrap	53	U-Basket	61
SnapWrap Pro Jr.	55	J-Basket	62

## ■ CPU Holders

---

Taco	63		
------	----	--	--

# DESK GEAR

Power with Design

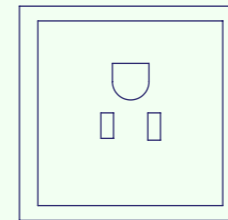
- Short lead times
- Customisable to requirements
- Certified BS5733 and PAT tested where appropriate
- UK manufactured and tested
- Warranted product

# Module - Outlets

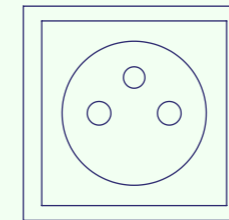
Above, in and under desk

Compatible with:  
Boulder, Cobble, Pebble, Median, Summit  
Cove, Cove Plus, Mirage, Slimline, Sub

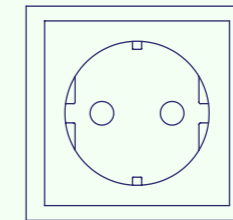
## Power



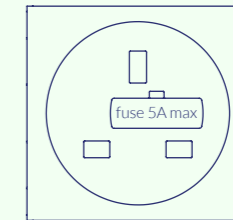
Type B (USA)



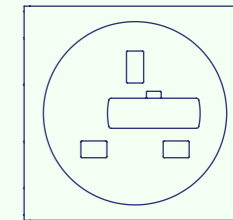
Type E (French)



Type F (Schuko)

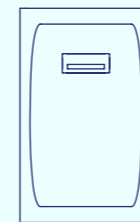


Type G (UK) Fused

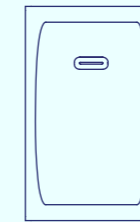


Type G (UK) Unfused

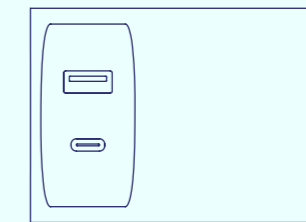
## USB Power



USB-A 18W

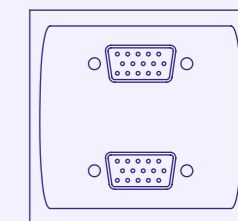


USB-C 18W

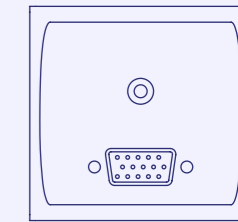


USB-A&C 45W

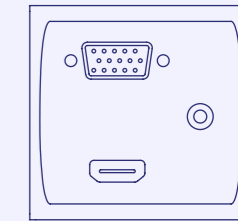
## AV Options



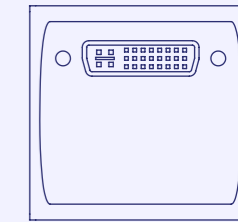
SVGA Single/ Double



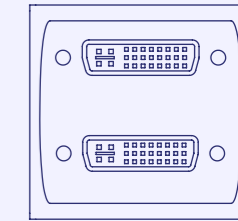
SVGA + Audio



SVGA + Audio + HDMI

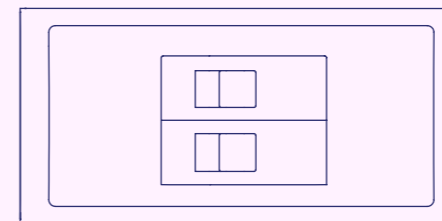


DVI Single

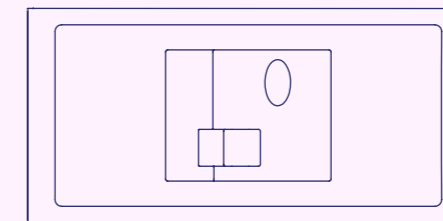


DVI Double

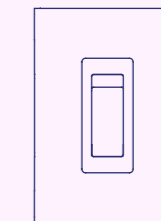
## Protection Devices / Switches



Double/ Single MCB



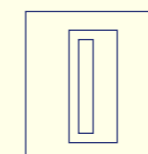
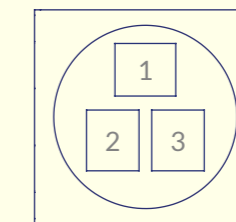
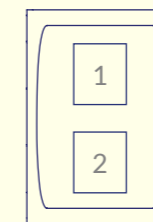
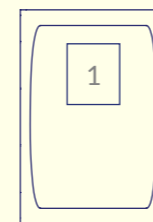
RCBO



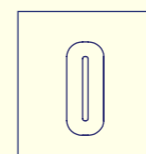
Master Switch

## Data & AV Keystone

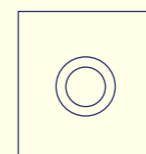
Face plates can be fitted with either 1, 2 or 3 keystones.



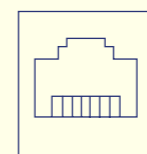
USB-A



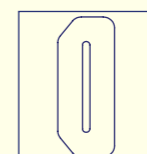
USB-C



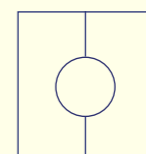
Audio



Data



HDMI



Pull Through

# Summit

Desktop module



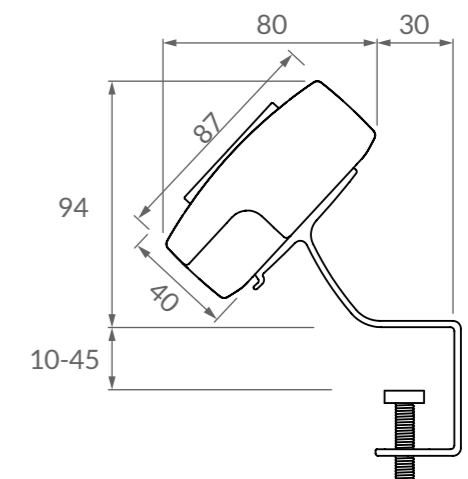
# Summit

Desktop module



Summit is an elegant, sleek looking unit which "Floats" 10mm above the worksurface when mounted on the standard desk edge clamp. The flat appearance also lends itself to screen-mounting of the module.

- All products PAT tested
- BS 5733 certified
- Short lead times
- Fast installation
- Fire rated plastics



\*All measurements in mm  
Other attachments available

# Median

Desktop module



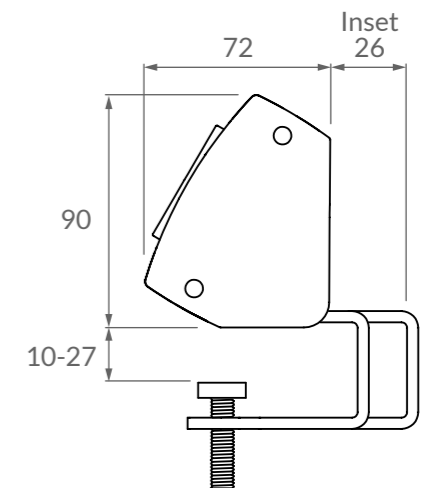
# Median

Desktop module



Median presents outlets at a 60 degree angle from the work surface utilizing 20mm less worktop depth than the Boulder module.

- All products PAT tested
- BS 5733 certified
- Short lead times
- Fast installation
- Fire rated plastics



\*All measurements in mm

# Boulder

Desktop module

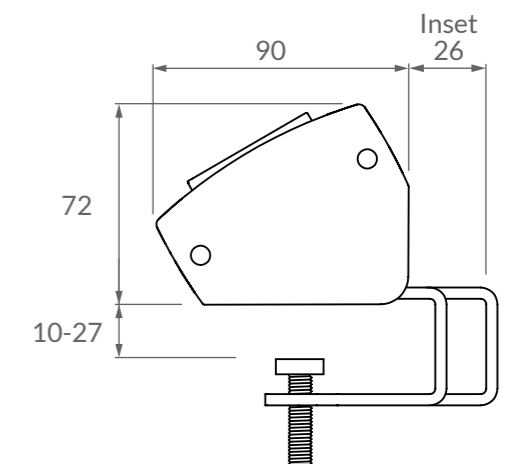
# Boulder

Desktop module



Boulder presents with a robust, compact appearance and the choice of self-adhesive fixings or desk edge clamp attachment.

- All products PAT tested
- BS 5733 certified
- Short lead times
- Fast installation
- Fire rated plastics



\*All measurements in mm

# Pebble

Desktop module



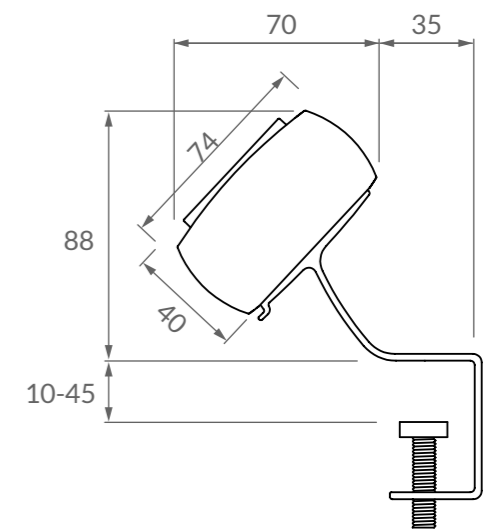
# Pebble

Desktop module



Pebble end caps are contoured with softer aesthetic. In a low aluminium body.

- All products PAT tested
- BS 5733 certified
- Short lead times
- Fast installation
- Fire rated plastics



\*All measurements in mm  
Other attachments available



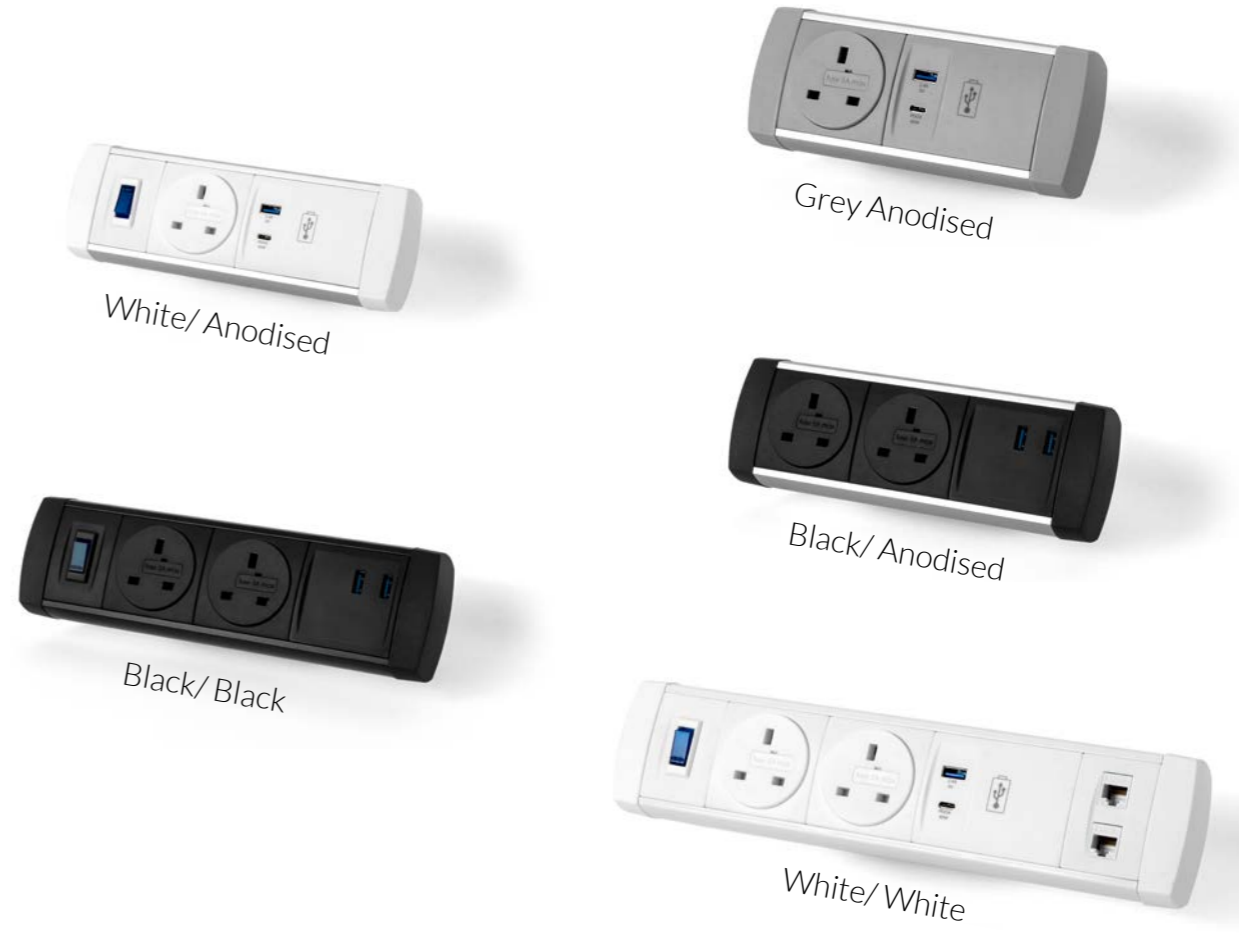
# Cobble

Desktop module



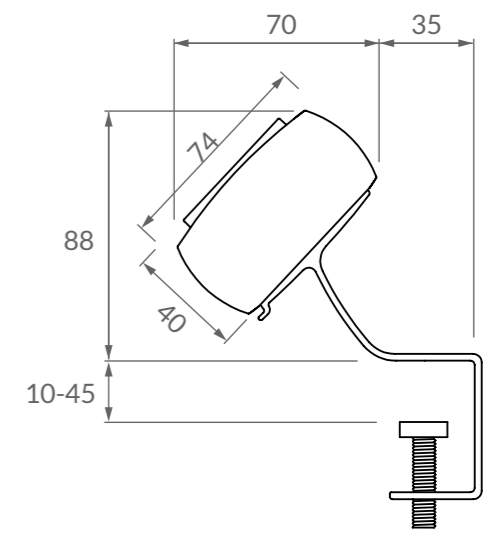
# Cobble

Desktop module



Cobble has a quadratic shape which offers clean lines and neat presentation of outlets in a slim aluminium body.

- All products PAT tested
- BS 5733 certified
- Short lead times
- Fast installation
- Fire rated plastics



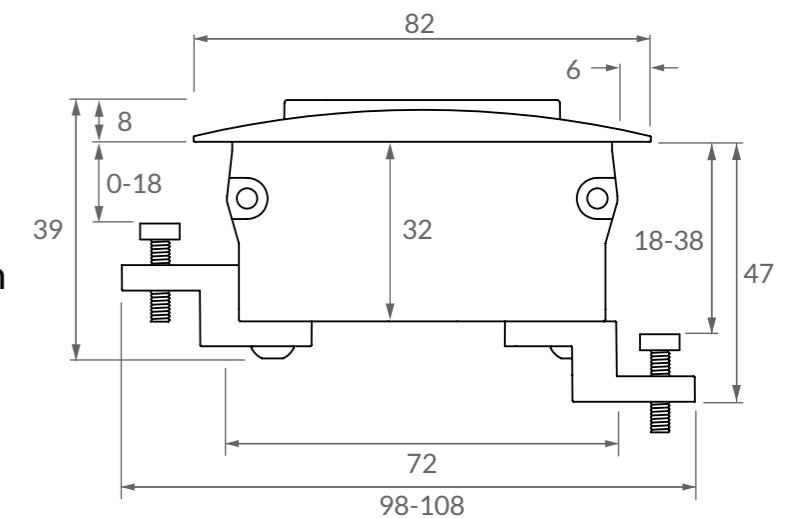
\*All measurements in mm  
Other attachments available





An extraordinarily low profile power & comms unit which fits flush to a table top. As well as the power, data & AV options being customisable, sockets can be orientated to service users on both sides of a table. Thin profile makes it suitable for panel mounting and soft furnishing.

- Slim line Bezel
- All products PAT tested
- Short lead times, fast installation
- Fire rated, BS 5733 certified



\*All measurements in mm

# Cove

In desk module



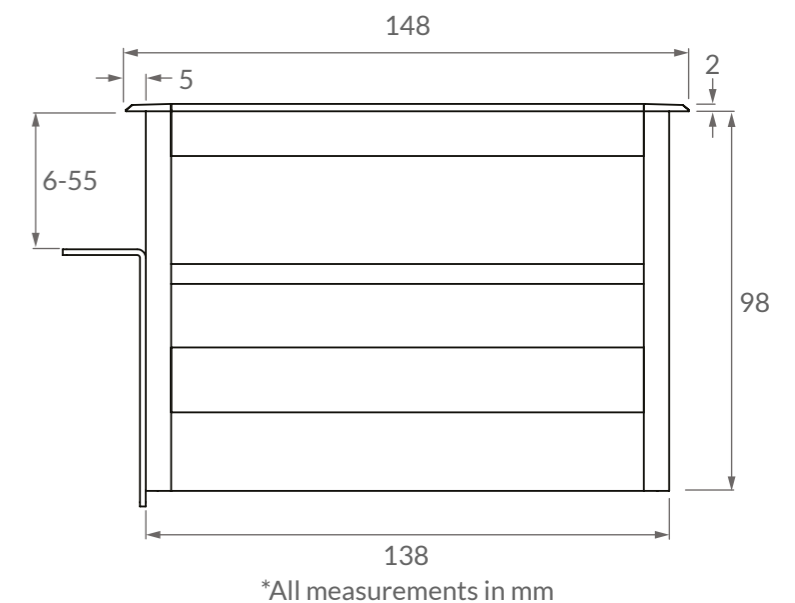
# Cove

In desk module



A premium through desk access unit made with an all metal surround and lid. The lid can be closed while in use, discreetly covering any clutter while allowing cables to neatly pass through premium brush strip onto the work surface. Each unit is built to order and can be specified to include power, data and AV outlets. Black, white and architectural anodised finish are standard options. Other finishes on request.

- Less than 2mm surface impact
- Short lead times, fast installation
- Fully customisable
- W/ or w/o integration outlets



# Cove Plus

In desk module



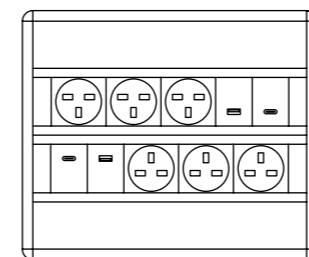
# Cove Plus

In desk module

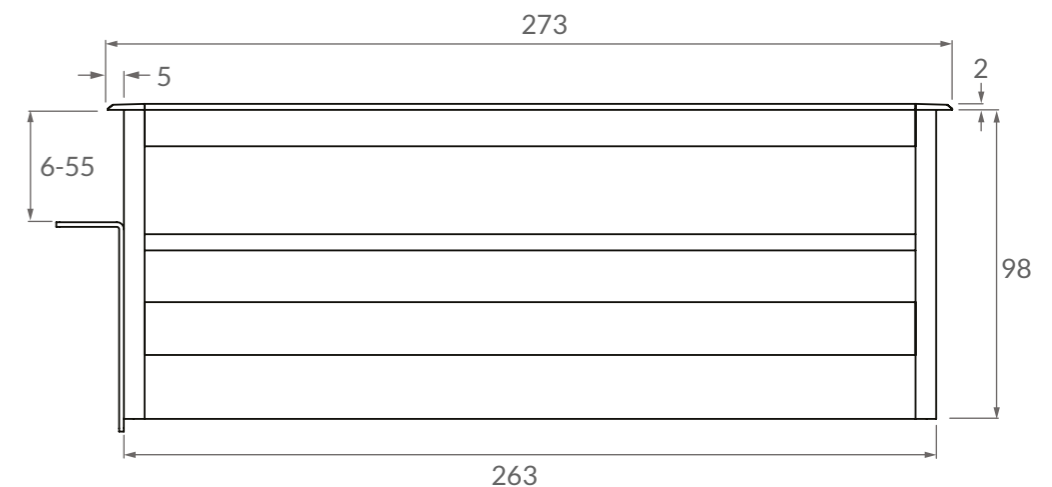


A premium through desk access unit made with an all metal surround and lid. Discretely covers any clutter while allowing cables to neatly pass onto the work surface. Each unit is tailored to suit the clients' size requirements and can be specified to include power, data and AV outlets. Furthermore the finish and colour of the unit can also be customised, making this an extremely adaptable product.

- Less than 2mm surface impact
- Short lead times, fast installation
- Fully customisable
- W/ or w/o integration outlets



Mirrored models as standard



\*All measurements in mm

# DESK GEAR

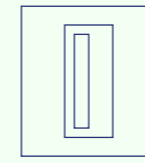
Power with Design

- Short lead times
- Customisable to requirements
- Certified BS5733 and PAT tested where appropriate
- UK manufactured and tested
- Warranted product

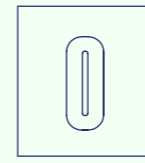
# Eyelet - Outlets

In desk options

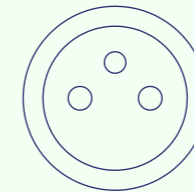
## Power



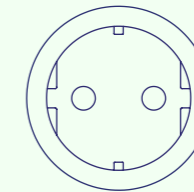
USB-A 18W



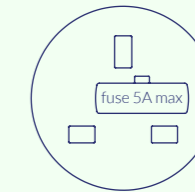
USB-C 18W



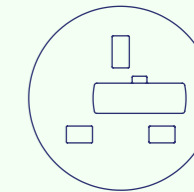
Type E (French)



Type F (Schuko)

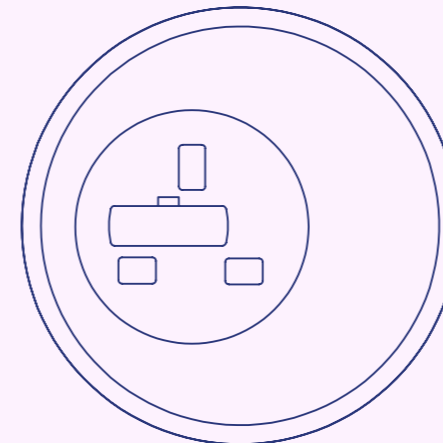


Type G (UK) Fused

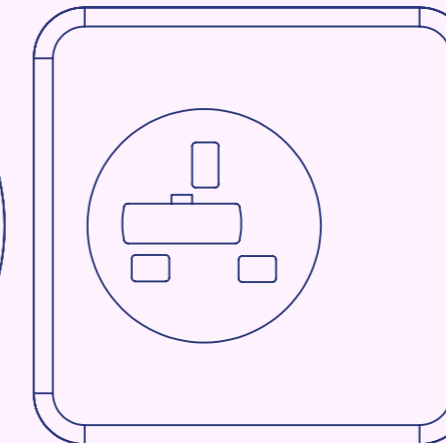


Type G (UK) Unfused

## Shape Options

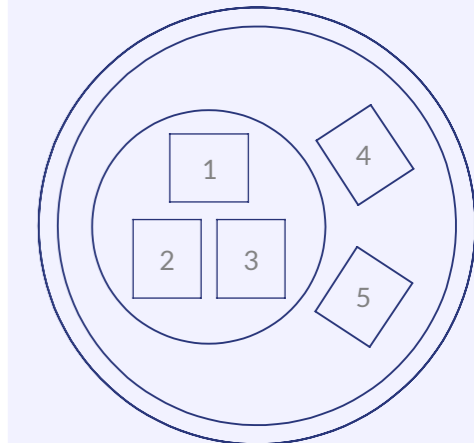


Eyelet Round



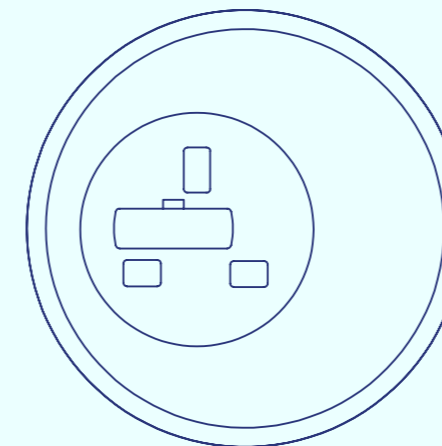
Eyelet Square

## 5 Keystone AV Option

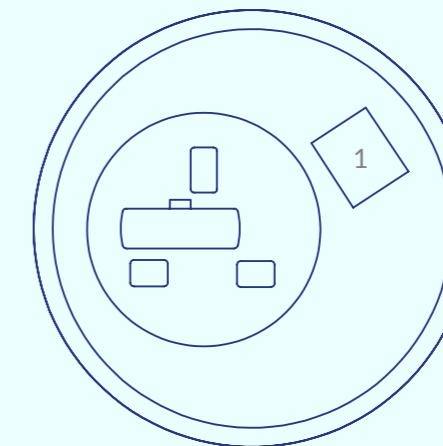


Round or Square, up to 5 Keystone

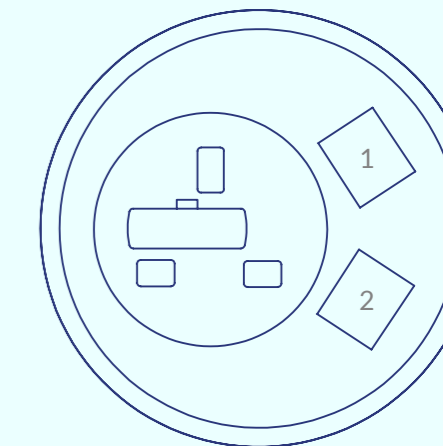
## Number of Keystone Outlets



No Outlets

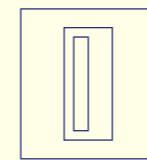


One Outlet

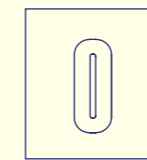


Two Outlets

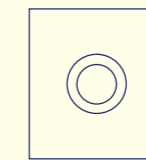
## Data & AV Keystone



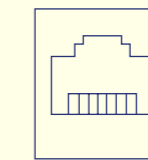
USB-A



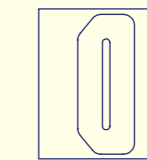
USB-C



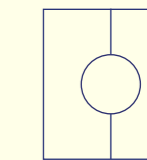
Audio



Data



HDMI



Pull Through



# Eyelet Round

In desk module



# Eyelet Round

In desk module



Grey/ Stainless Steel



Black/ Stainless Steel

- Custom outlets and colours
- All products PAT tested
- Short lead times, fast installation
- Fire rated, BS 5733 certified



Black/ Black

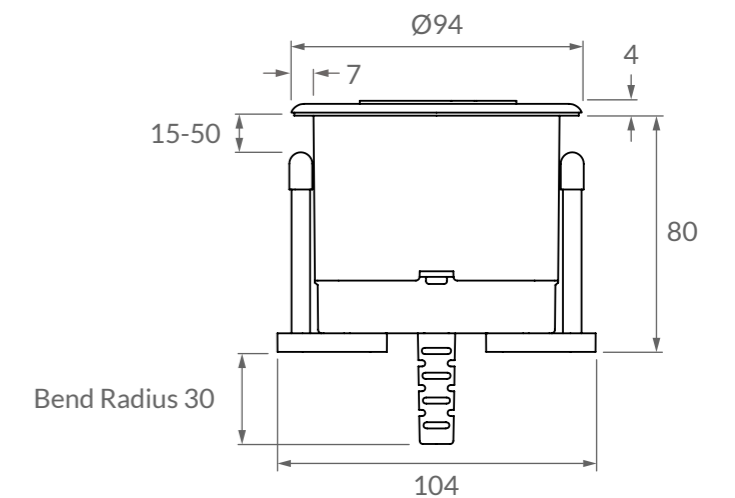
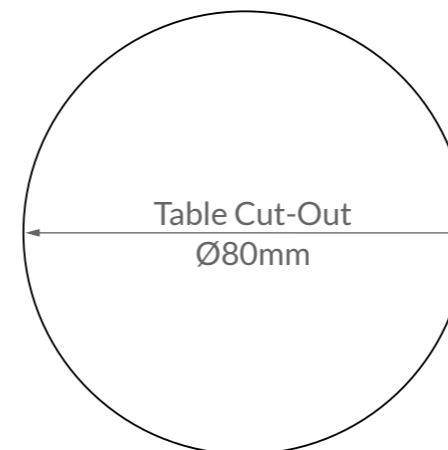


White/ White



White/ Stainless Steel

Fitting a standard Ø80mm cut out - the Eyelet provides a selection of power and data outlets. The high quality stainless steel face plate can be personalised to a range of colours and finishes. This innovative product makes use of the frequently vacant cable ports within desks.



\*All measurements in mm

# Eyelet Square

In desk module



# Eyelet Square

In desk module



Grey/ Stainless Steel



Black/ Stainless Steel



White/ White

- Custom outlets and colours
- All products PAT tested
- Short lead times, fast installation
- Fire rated, BS 5733 certified

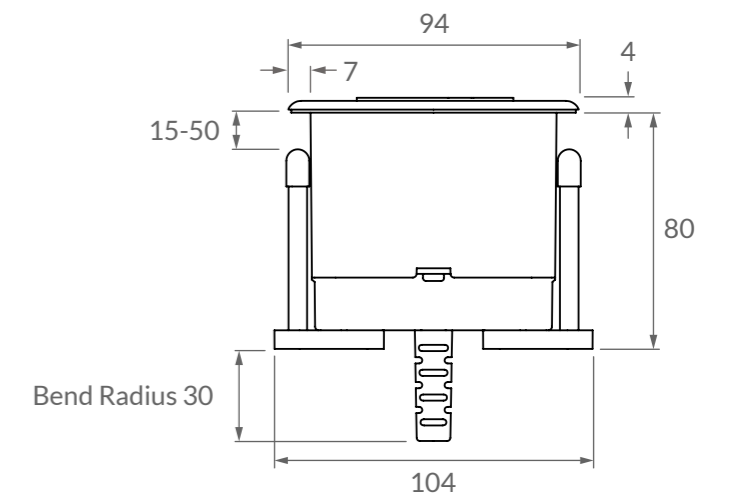
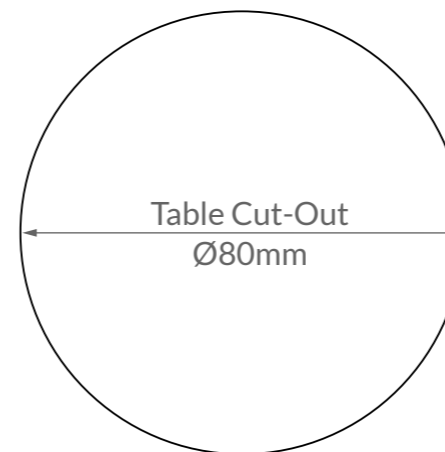


Black/ Black



White/ Stainless Steel

The Eyelet fits an 80mm porthole. It provides a selection of power and data outlets including Cat 5/6, Data, HDMI, USB-A, USB-C and Chargers. The high quality stainless steel face plate can be customized to any colour or finish. This innovative product makes use of the frequently vacant cable ports within desks.



\*All measurements in mm



# DESK GEAR

## Power with Design

- Short lead times
- Customisable to requirements
- Certified BS5733 and PAT tested where appropriate
- UK manufactured and tested
- Warranted product

# Shot - Outlets

In desk options

Power

Type E (French)      Type F (Schuko)      Type G (UK) Fused      Type G (UK) Unfused

USB Charge

2 x USB-A 18W      USB-A & USB-C 18W      2 x USB-C 18W

Data & AV Keystone

Up to 3 Keystones

USB-A      USB-C      Audio      Data      HDMI      Pull Through

# Shot - Rise

60mm In desk module

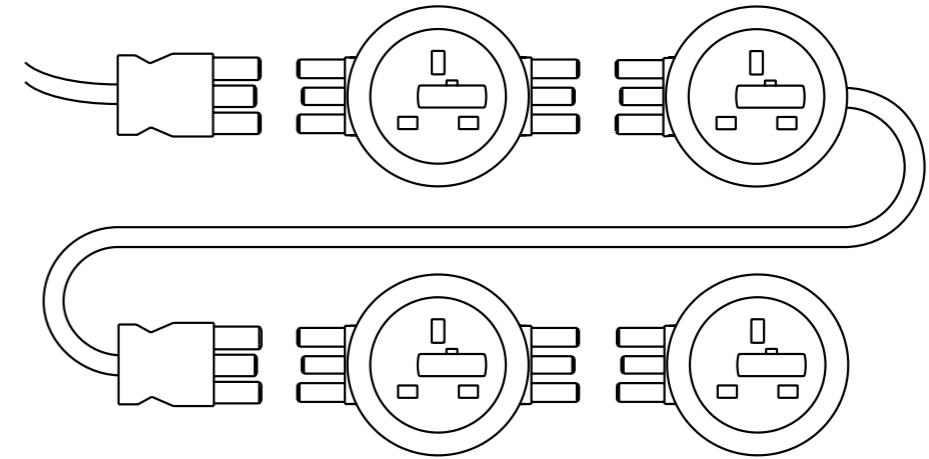


Fitting into a 60mm round hole and sitting position just above the surface, the Rise is a compact unit ideal for discreet power, data and AV connectivity.

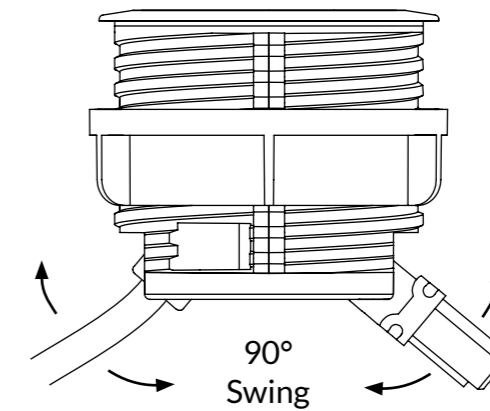
# Shot - Rise

60mm In desk module

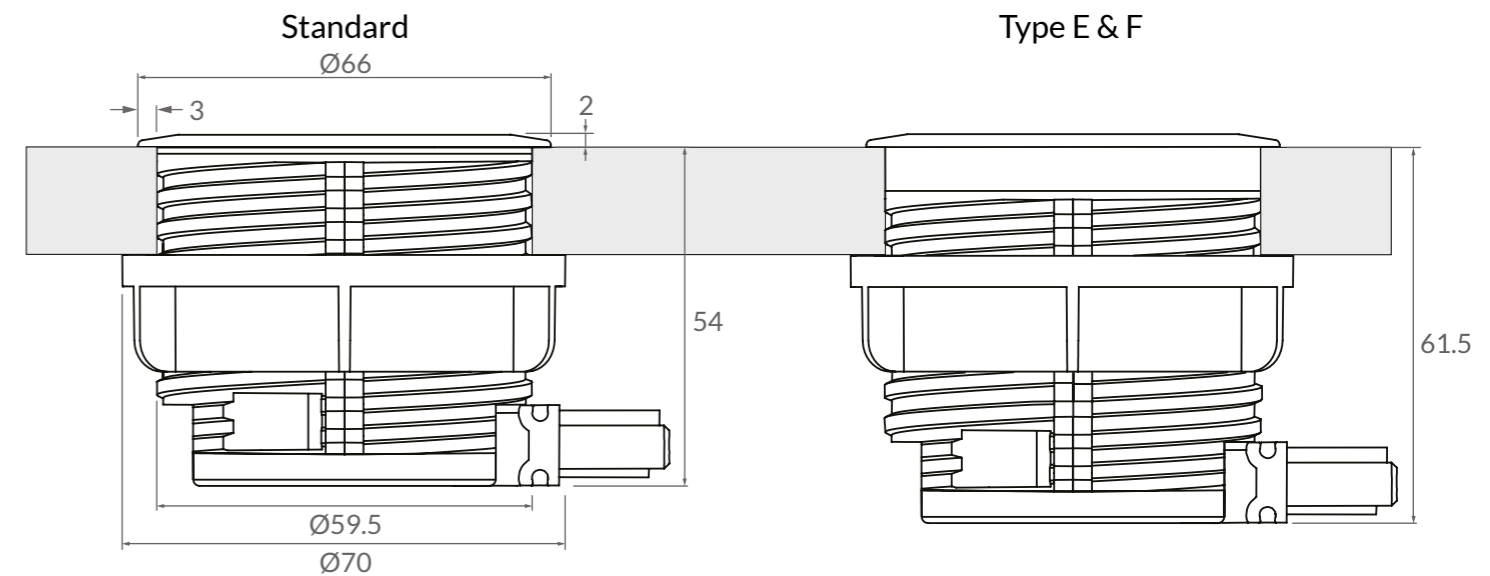
Units can be fitted with any mix of hardwired and/ or GST power connections. In/Out connection capability, allows the daisy chaining of multiple units.



Connectors can rotate through 90°, offering easy installation and low profile wiring for a wide array of applications.



Unit Sandwiches worktop



\*All measurements in mm

# Shot - Level

60mm In desk module

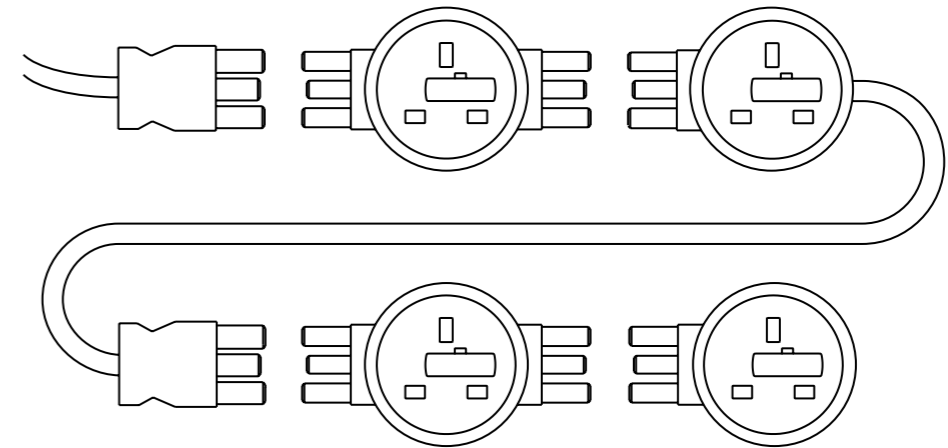


A refined 60mm diameter unit that fits flush into worktops or panels, with the ability to provide a wide range of Power, data and AV outlets.

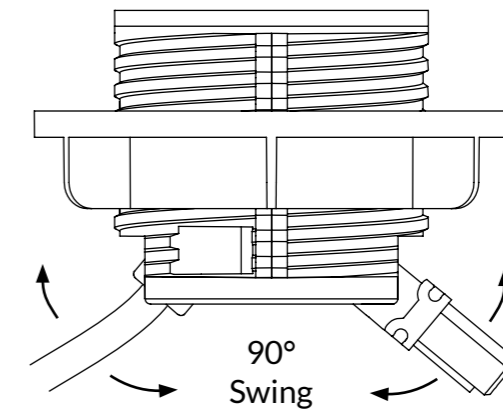
# Shot - Level

60mm In desk module

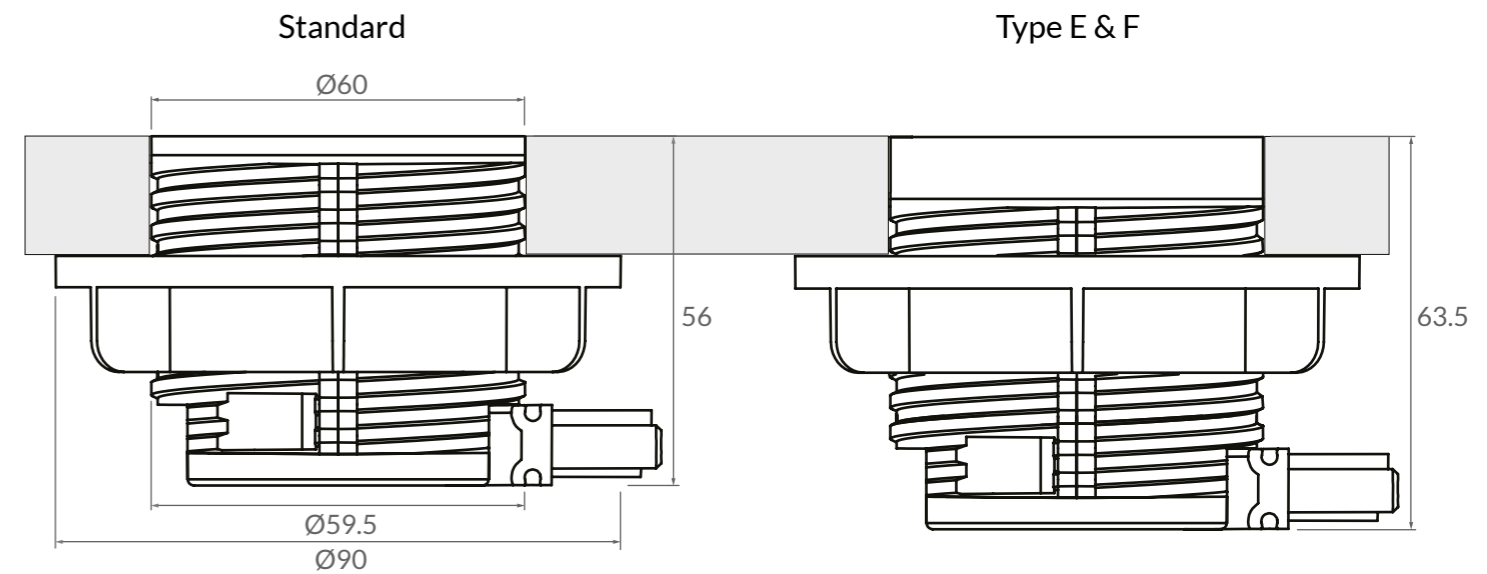
Units can be fitted with any mix of hardwired and/ or GST power connections. In/Out connection capability, allows the daisy chaining of multiple units.



Connectors can rotate through 90°, offering easy installation and low profile wiring for a wide array of applications.



Screw fixes to underside of worktop



\*All measurements in mm

# eLink

Under desk module

# eLink

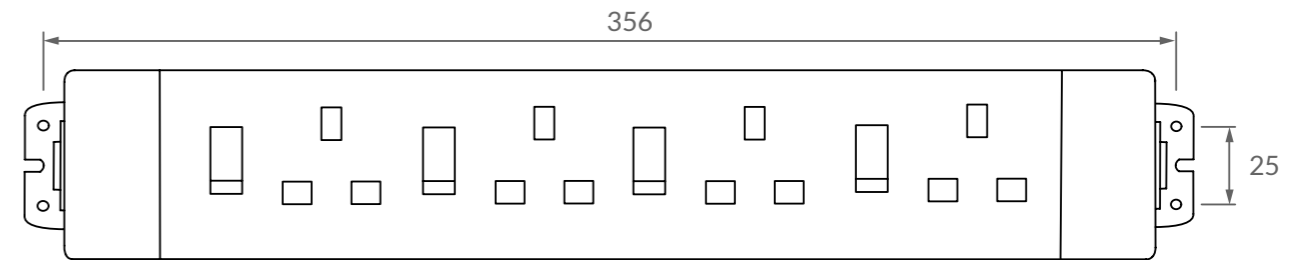
Under desk module



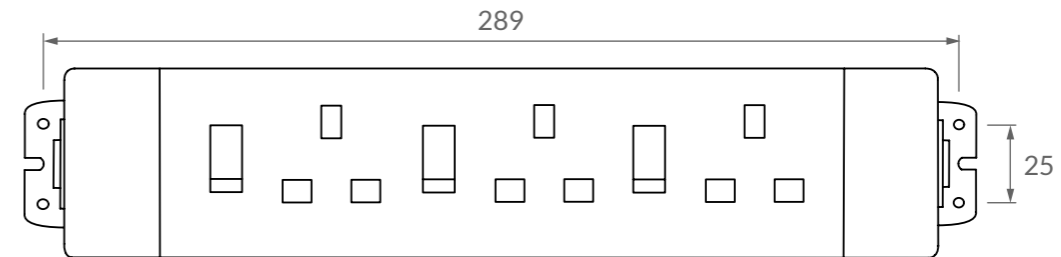
- Surface mountable
- Individual CBE switch breakers
- 4 BS certifications

High quality value PDU. eLink utilises individual switch breakers, allowing simple, rapid resetting along with the convenience of any ordinary switch. This robustly constructed unit uses a GST style connector which securely clips to interconnecting and feeder cables.

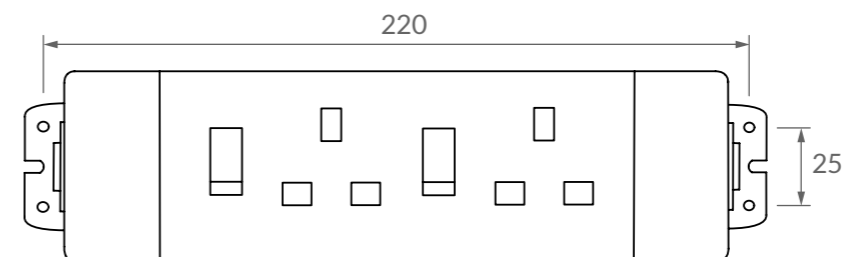
Hole Fixing Centres:  
4-Power



3-Power & 2-Power



2-Power

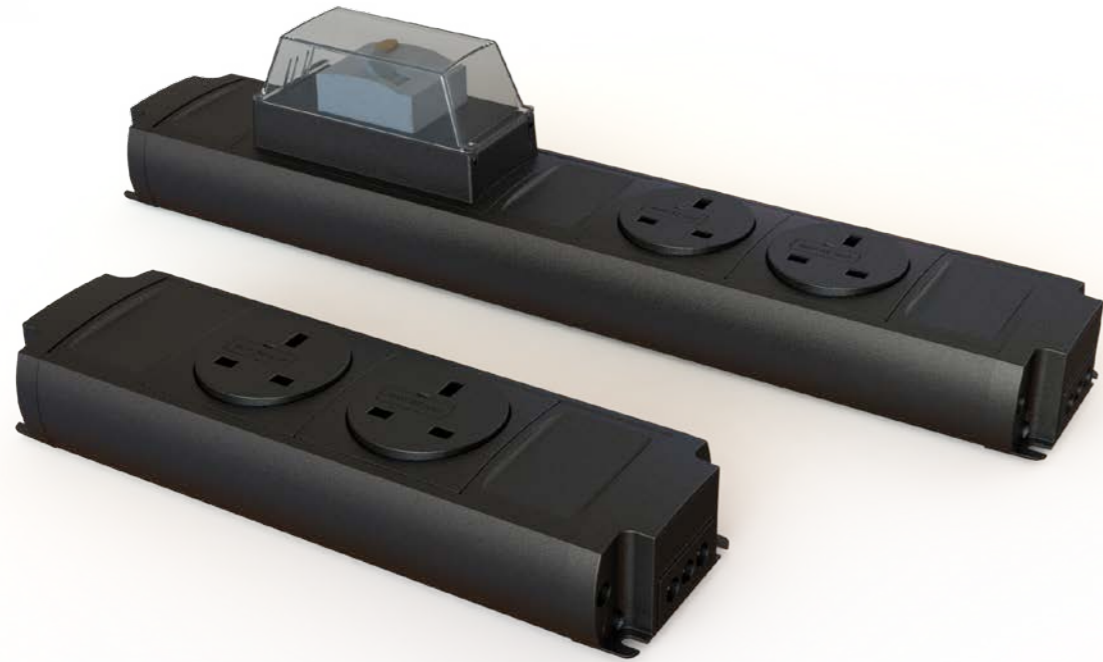


\*All measurements in mm



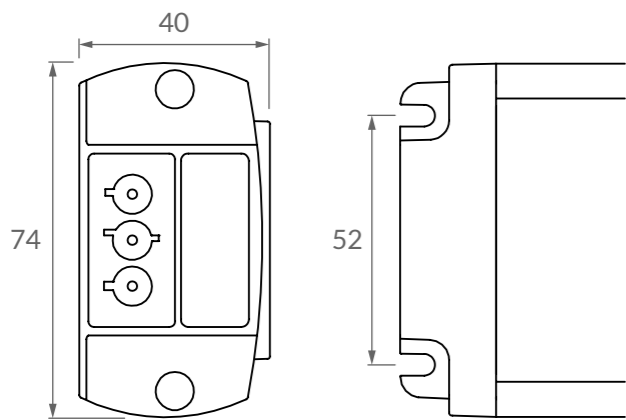
# Slim Line

Under desk module



- Customisable outlets
- All products PAT tested
- Short lead times, fast installation
- Fire rated, BS 5733 certified
- 16 & 32 amp capacity

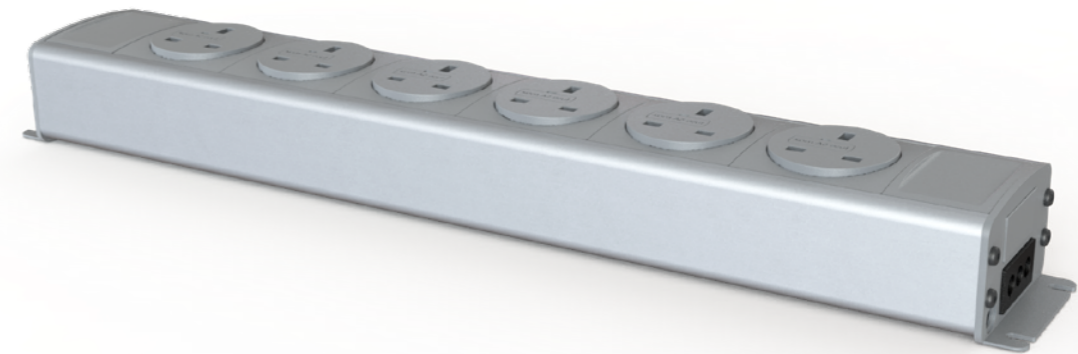
A low profile power & data module ideal for a wide range of applications such as under desk, meeting table box or raceway. The aluminium body is capable of housing a wide variety of outlets including data, voice, AV and power sockets which can be orientated in 45 degree increments. Designed to include protection devices like RCDs, MCBs and other control devices. Multiple options for output/ input.



\*All measurements in mm

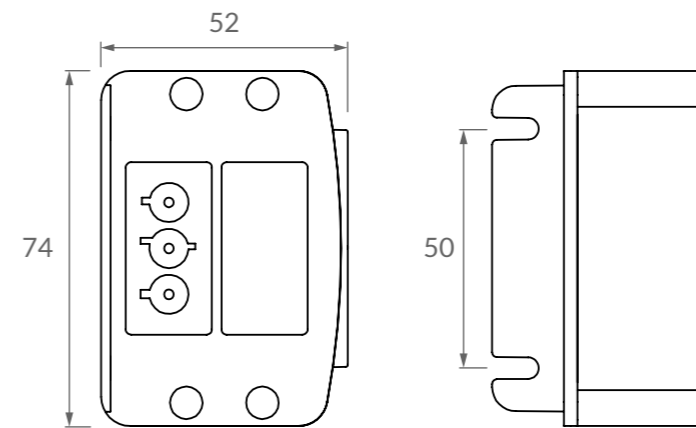
# Sub

Under desk module



- Customisable outlets
- All products PAT tested
- Short lead times, fast installation
- Fire rated, BS 5733 certified
- 16 & 32 amp capacity

A robust power & data module ideal for a wide range of applications such as under desk, under floor and in server cabinets & racks. The tough aluminium body is capable of housing a wide variety of outlets including data, voice, AV and power sockets which can be set in 45 degree increments of orientation. Due to our UK production even some of the most complicated configurations can be created and delivered in ten working days, subject to component availability.



\*All measurements in mm

# Morph - 100

Single gas assisted arm



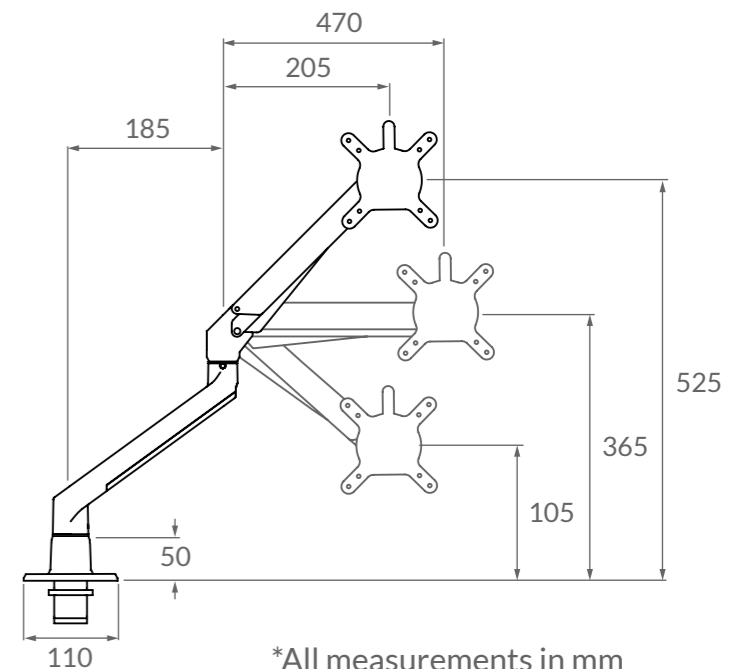
# Morph - 100

Single gas assisted arm



- Integrated cable management
- 60cm reach capability
- Effortless fingertip adjustment
- 90 degree tilt and pan
- 2-14 Kg Load Capacity
- Fits monitors up to 32"

An elegant dual articulated monitor arm. Highly adaptable, with add-ons for elevating laptops and increasing screen capacity. Available in white, black and silver as standard.





# Morph - Features

Modular monitor arm

Easy Install Sections of arm slot together without use of hard fixings.

## Fingertip Adjustment

Internal gas spring allows for easy vertical movement of monitors on gas model.

## Full Range of Motion

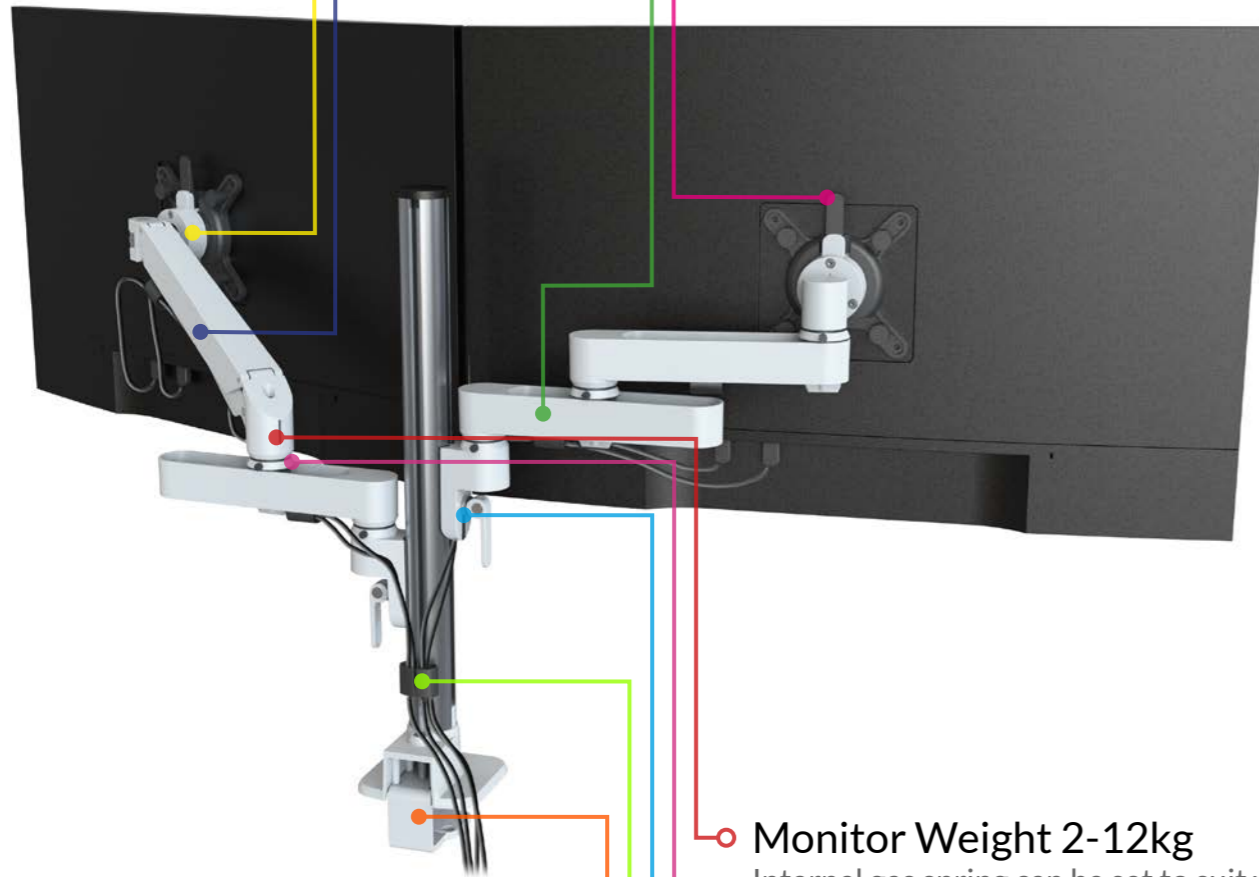
Vesa ball joint allows for vertical & horizontal tilt of 20-30 degrees, including 360° rotation.

## Complete Depth Control

140mm horizontal arm slide gives adjustment without needing to swing the arm back past the edge of the worktop.

## Quick Release Vesa

Simple push release fin to remove monitors.



## Top Loading Clamp

Avoids clashes with under-desk items such as cable trays.

Clamp can also be inset to avoid desk screens, can be bolted through worktops and fit through 80mm grommet holes.

## Cable Management

Clips located on each section provide a neat solution to keep cables organised and accessible when you need them.

## Monitor Weight 2-12kg

Internal gas spring can be set to suit weight of monitor.

## Rotation Stopper

Each element has a stopper to limit the swing of the arm. This prevents arms swinging back and damaging vertical surfaces behind.

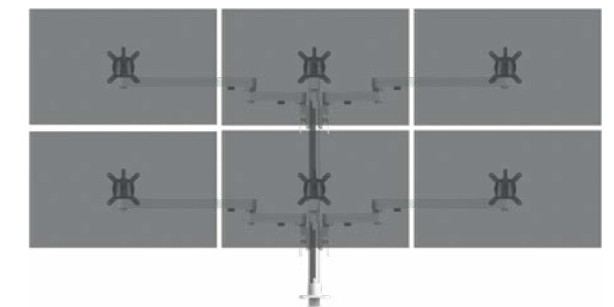
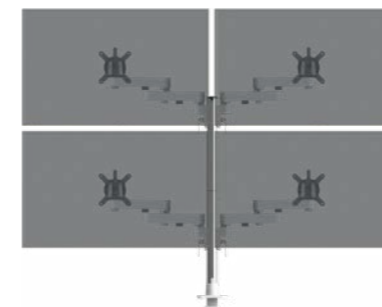
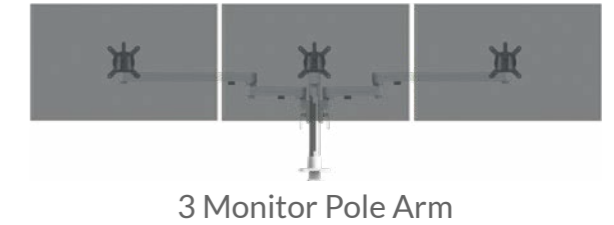
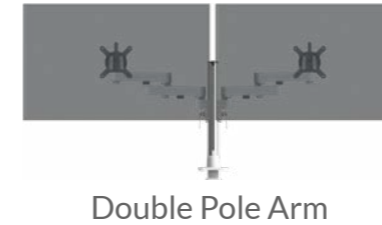
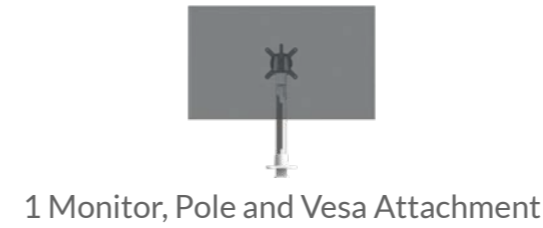
## Easy Height Adjustment

Cam handle release gives a simple way to move the arm vertically on the central pole, maximising the height adjustment range of the arm.

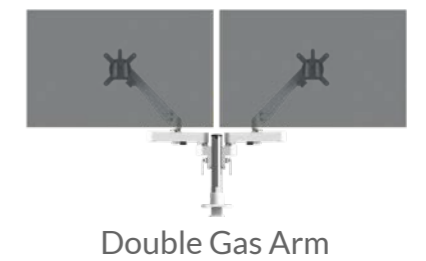
# Morph - Configurations

Modular monitor arm

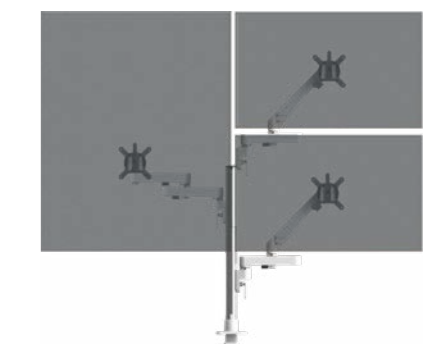
## Pole Arm set-ups



## Gas Arm set-ups



## Mixed Arm set-ups



# Morph - Post Arm

Modular single post arm

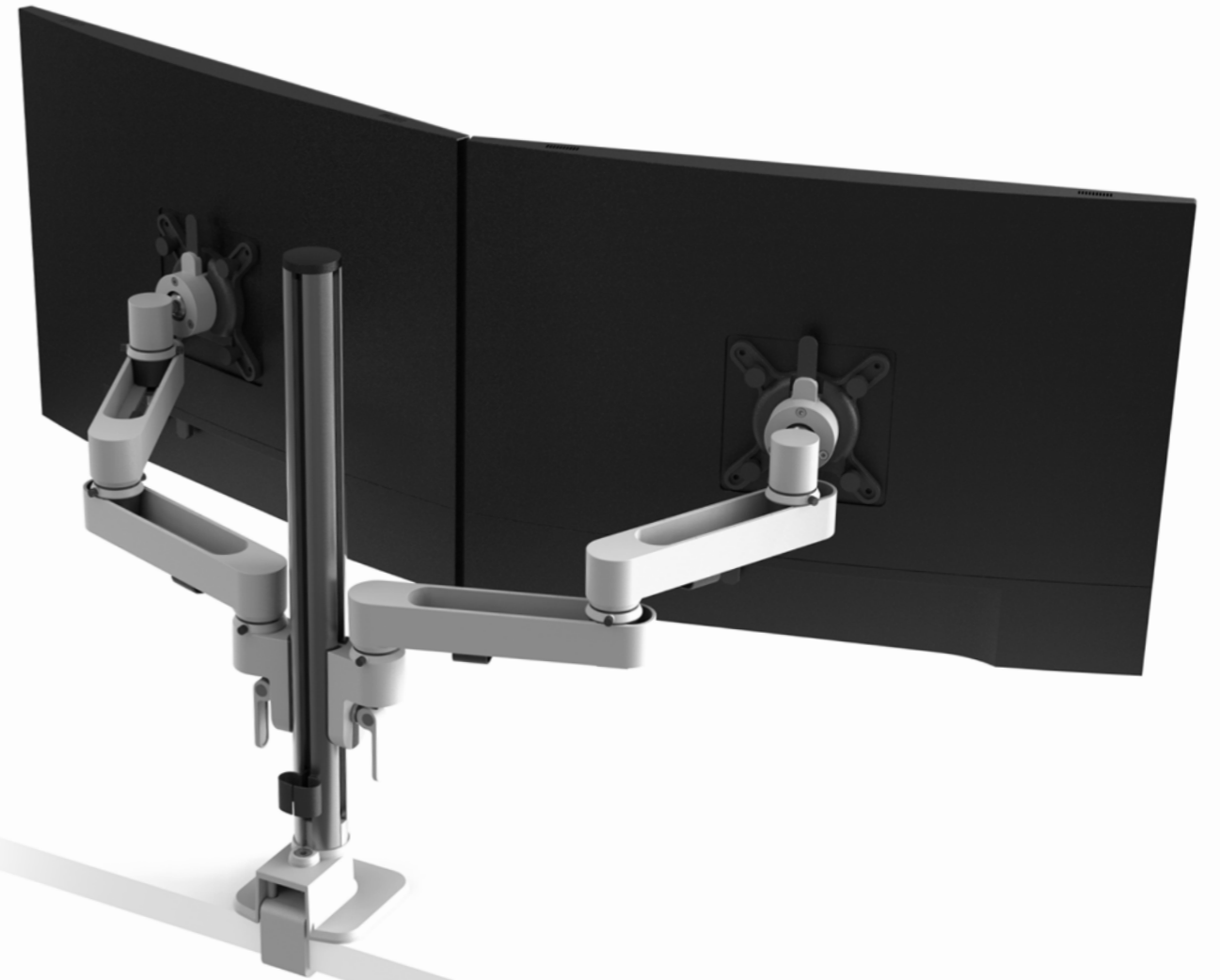


Part of the Morph System:

Morph Post Arm offers full articulation, infinite height adjustment on the post and the monitor can be set back to touch the post giving unparalleled depth control. Can be up-scaled at any time.

# Morph - Post Arm

Modular double post arm



Part of the Morph System:

Morph Post Arm offers full articulation, independent height adjustment of each monitor, infinite height adjustment on the post. Both monitors can be set back to the post giving unparalleled depth control. Can be up-scaled at any time. The unique horizontal slides on the arm allow screens to align in the middle at any depth.

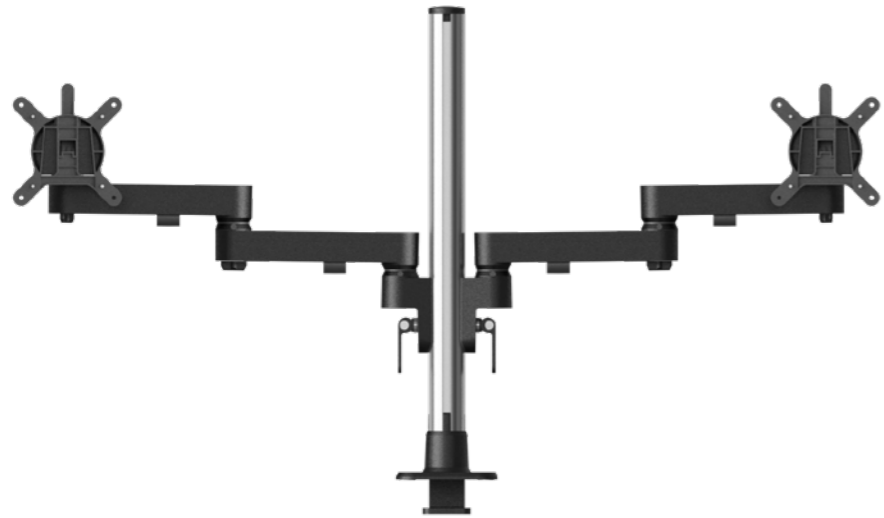
# Morph - Post Arm

Modular post arm

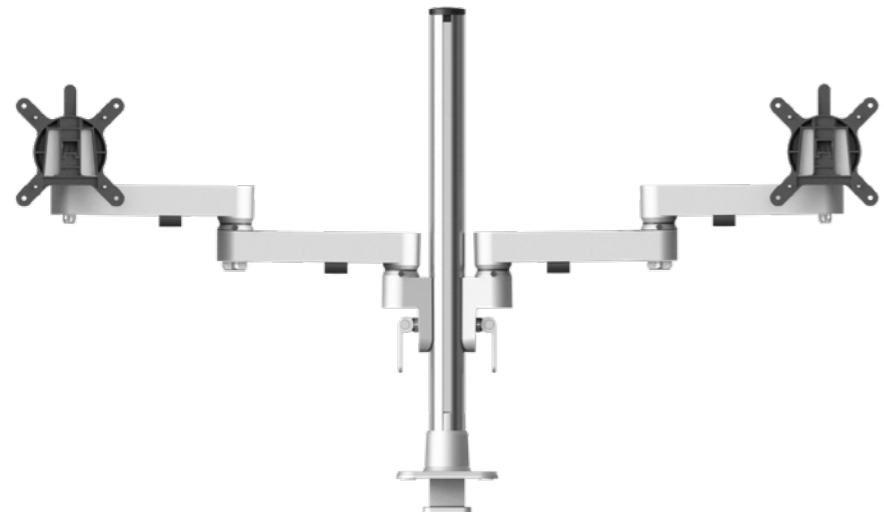
White:



Black:

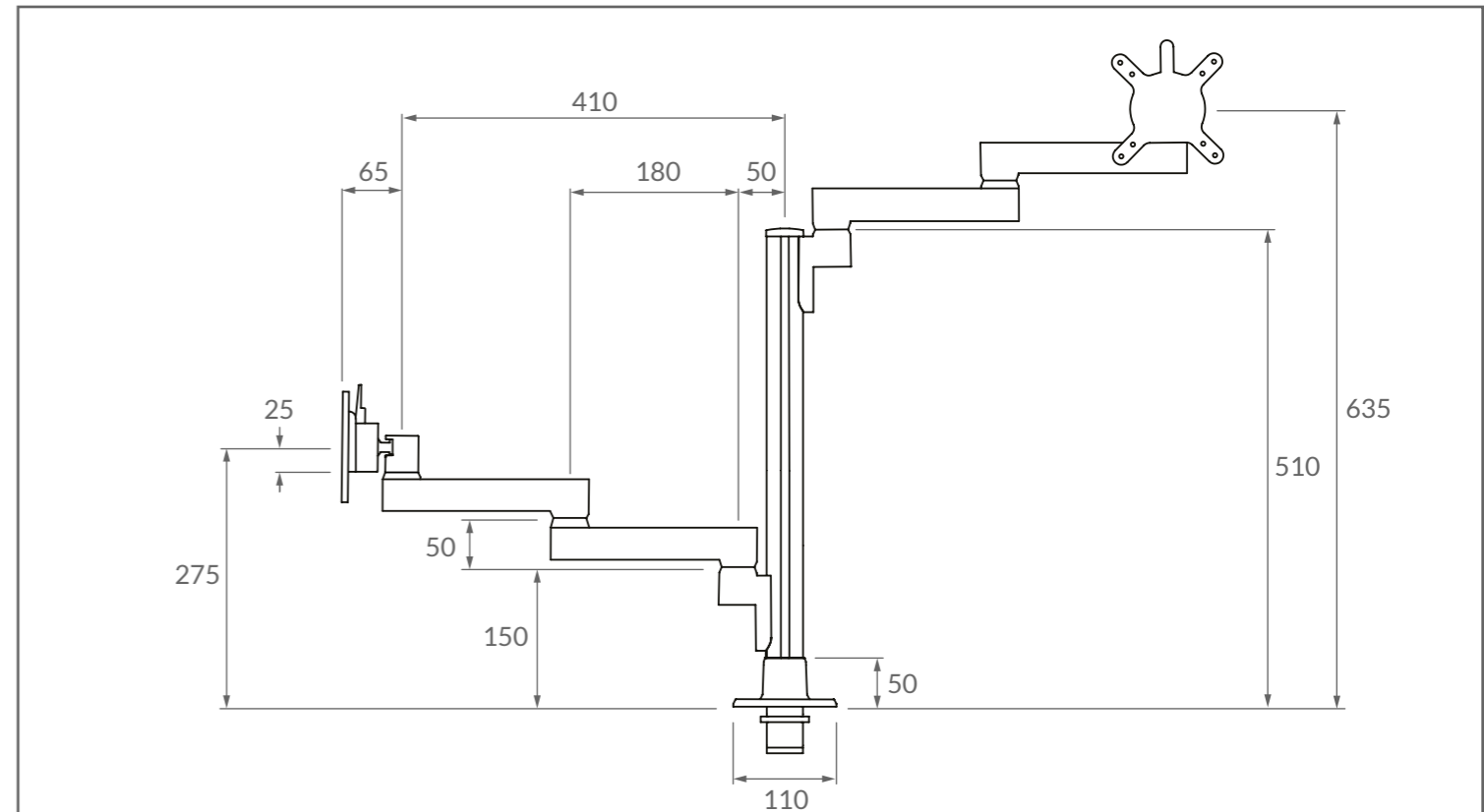


Silver:



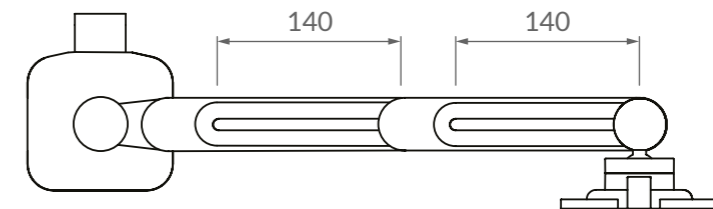
# Morph - Post Arm

Modular post arm

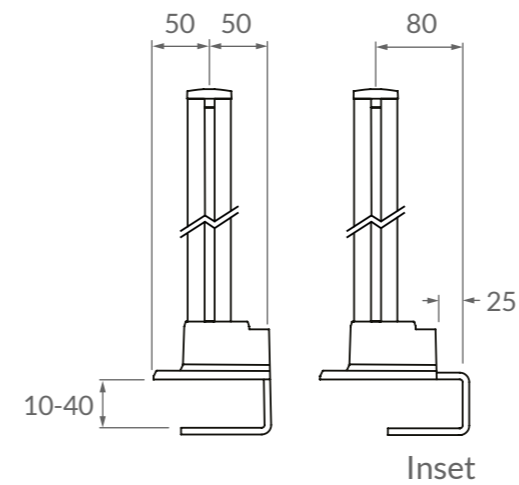


\* All measurements in mm

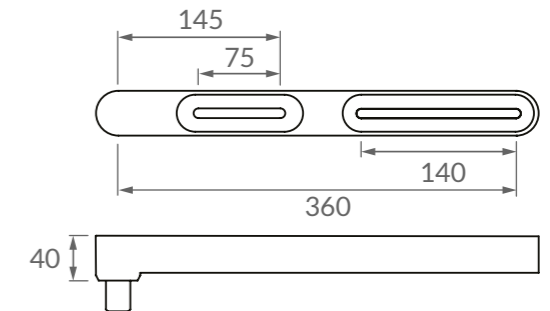
Horizontal Arm Slide



Base



Non-standard Arms



# Morph - Gas Arm

Modular single gas assisted arm



Part of the Morph System:

Morph Gas Arm offers full articulation, infinite height adjustment on the post and the monitor can be set back to touch the post giving unparalleled depth control. Can be up-scaled at any time.

# Morph - Gas Arm

Modular double gas assisted arm



Part of the Morph System:

Morph Gas Arm offers full articulation, independent height adjustment of each monitor, infinite height adjustment on the post. Both monitors can be set back to the post giving unparalleled depth control. Can be up-scaled at any time. The unique horizontal slides on the arm allow screens to align in the middle at any depth.

# Morph - Gas Arm

Modular gas assisted arm

White:



Black:

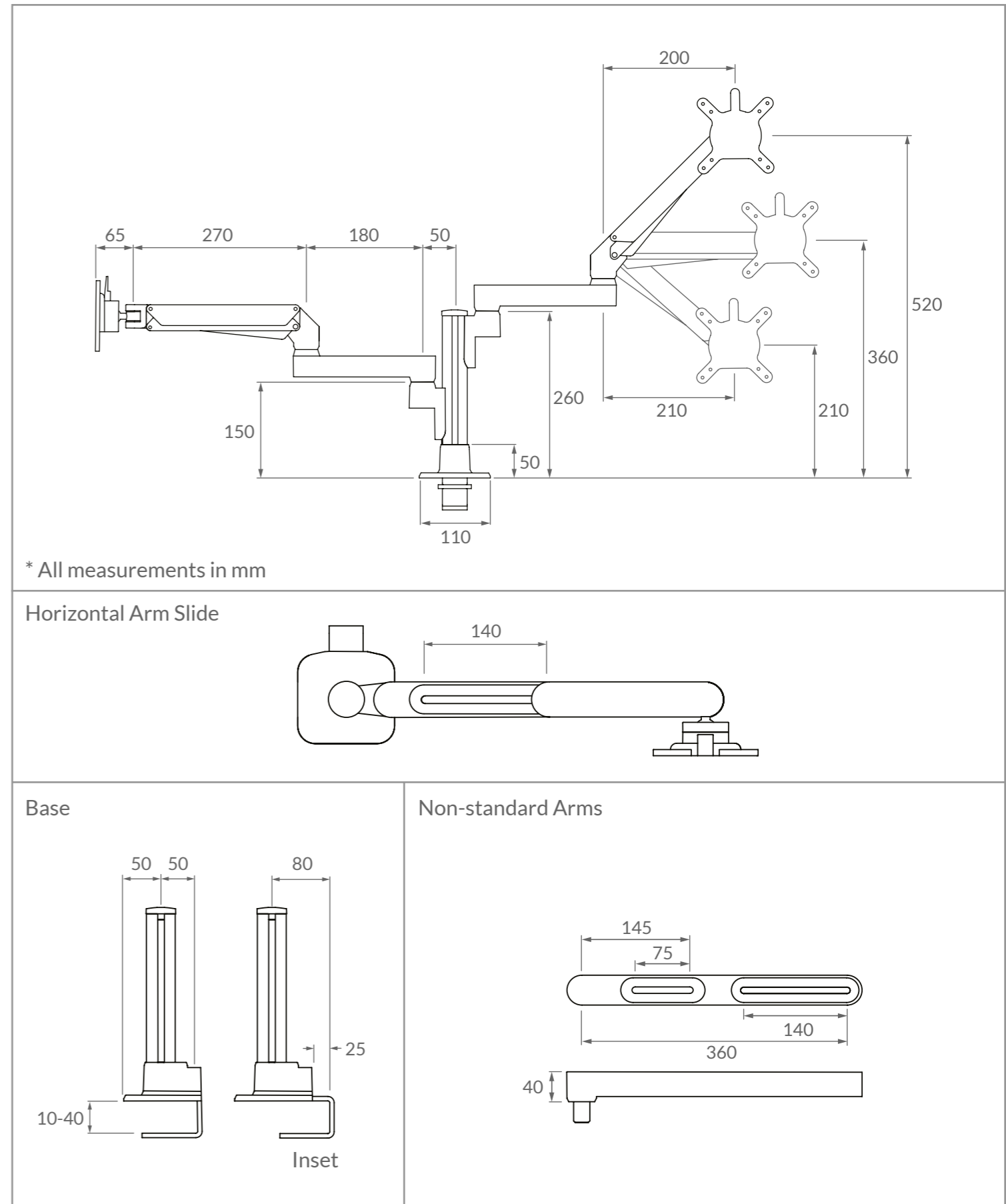


Silver:



# Morph - Gas Arm

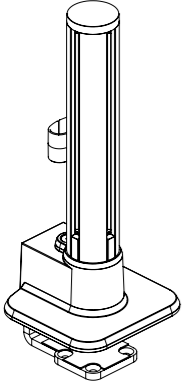
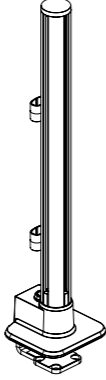
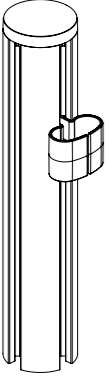

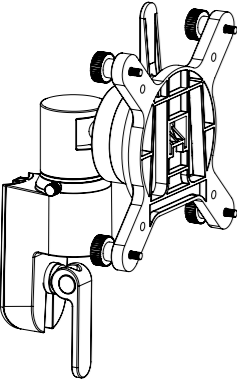
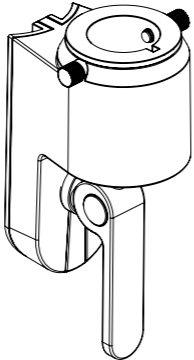
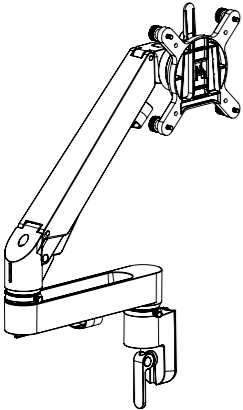
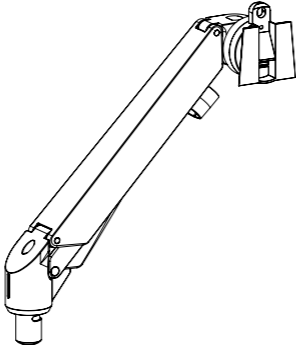
Modular gas assisted arm





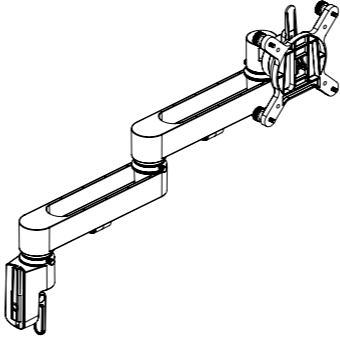
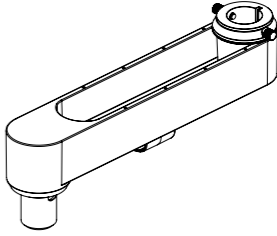
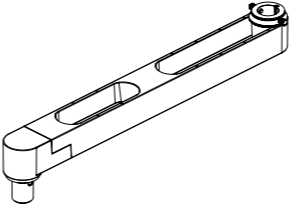
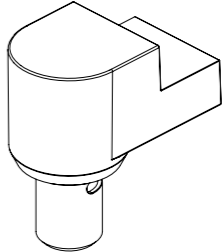
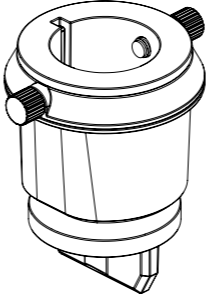
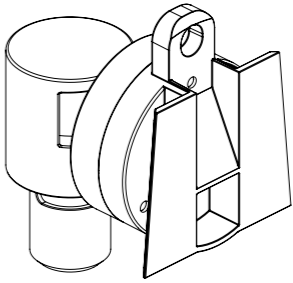
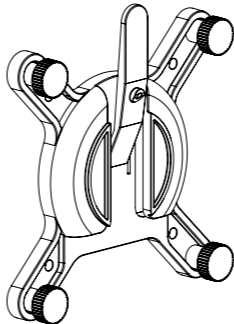
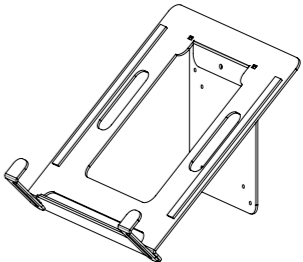
# Morph - Parts

Modular monitor arm

	<b>Short Base</b> Short Post with Base/ Clamp. Can be extended with additional Post.		<b>Long Base</b> Long Post Section with Base/ Clamp. Can be extended with additional Post.
	<b>Post Extension short</b> Short Post (200mm) with Cable Clip. Can be used to extend Post height.		<b>Post Extension Long</b> Long Post (450mm) with Cable Clips. Can be used to extend Post height.
	<b>Post Mount</b> Fits into post channel 75mm & 100mm Vesa compliant.		<b>Socket Slider</b> Fits into Post channel. Compatible with Arms and Vesa Head.
	<b>Gas Arm</b> Fits into Long or Short Base.		<b>Gas Section</b> Compatible with Arm Section and Socket Slider. Can be fitted with Vesa Set.

# Morph - Parts

Modular monitor arm

	<b>Post Arm</b> Fits into post channel on Base. Can be fitted with Additional Arms & Vesa mounts.		<b>Arm Section 1</b> Compatible with Vesa Head, Socket Slider, Gas Section and Arm Section. Can be fitted with additional Arms & Vesa mounts.
	<b>Arm Section 2</b> Medium Arm section. Comes with Arm Slider.		<b>Connect Element</b> For use with arm extensions and bespoke solutions.
	<b>Arm Slider</b> Fits into Arms. Can be fitted with additional Arms and Vesa Heads. Slides along track and can be locked in position.		<b>Vesa Head</b> Compatible with Socket Sliders and Arm Sliders. Can be fitted with Vesa Set.
	<b>Vesa Set</b> Compatible with Post and Gas Assisted Arms. 75mm & 100mm Vesa compliant.		<b>Laptop Tray</b> Laptop tray, can be fitted to Vesa attachment.



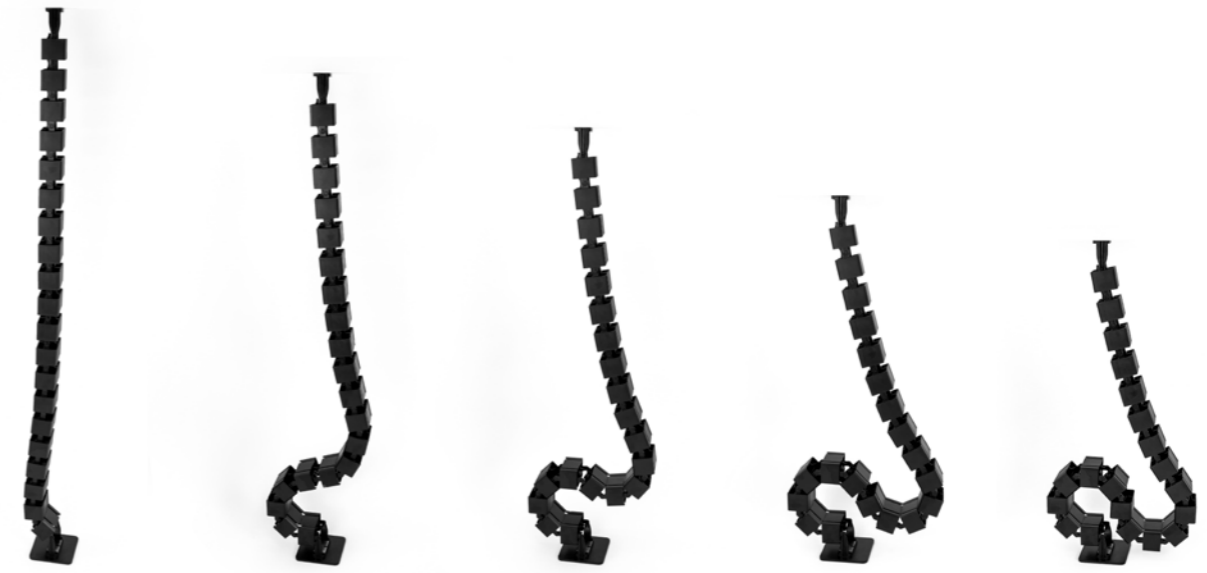
# Motion

Cable management



# Motion

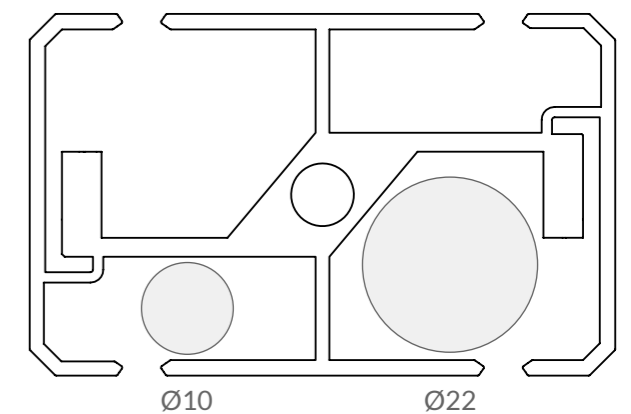
Cable management



The Motion is a vertical cable management spine which easily transitions from vertical to horizontal hanging and can be fixed using either screws or magnets. The direction of bend can be set at each link and the length can be customised. Motion cable control is perfect for sit stand desking. Pliable flame retardant material makes product easier to fit than most equivalent products.

- Excellent for sit stand work stations
- Easy cable segregation
- Vertical & horizontal cable ways
- Fixable directions
- Magnet & screw attachments included
- Optional weighted base
- Adjustable length

Max Cable Size



\*All measurements in mm

4 internal segments allows for thorough organisation and segregation of power and data cables. Includes a weighted base and robust cable clips top & bottom. This is a BS6396 compliant cable spine when installed correctly.



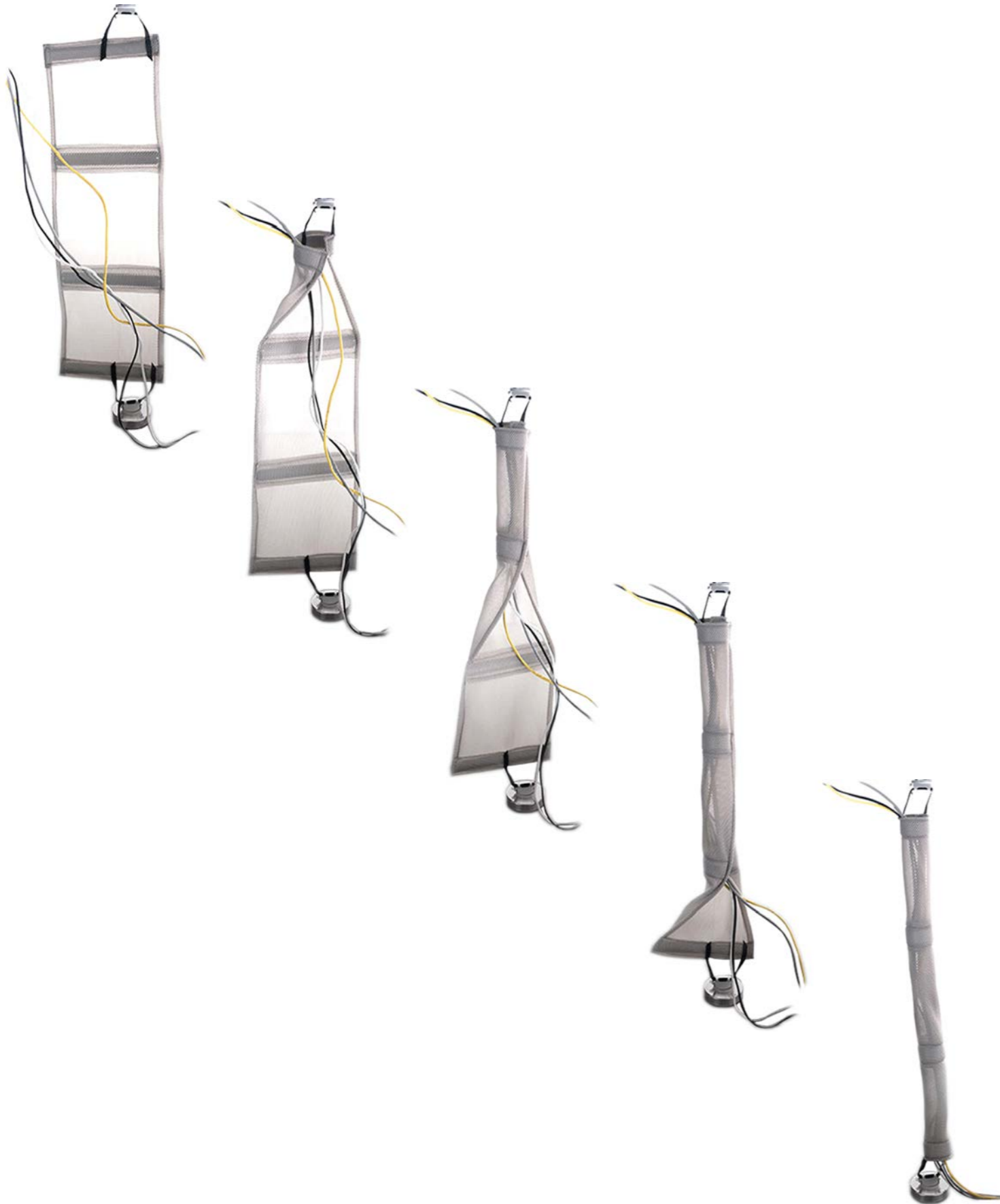
# SnapWrap Jr.

Cable manager



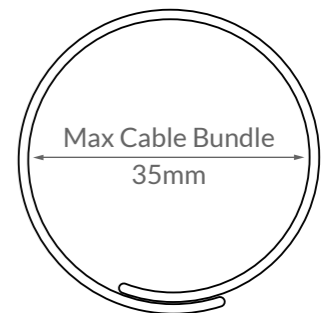
# SnapWrap Jr.

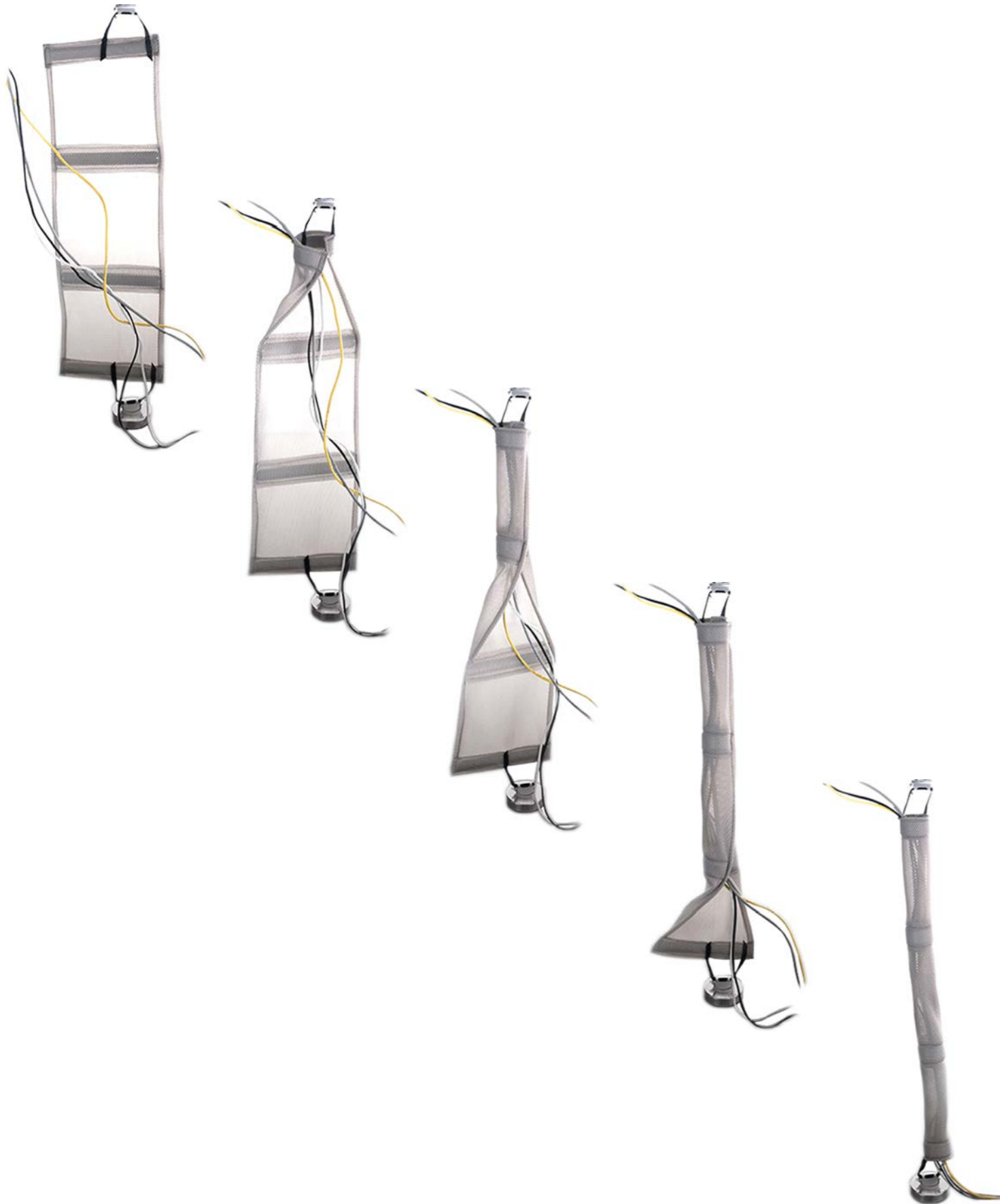
Cable manager



A snap shut cable tidy perfect for quick install. Available in white, black, grey. Robust cable clips top & bottom.

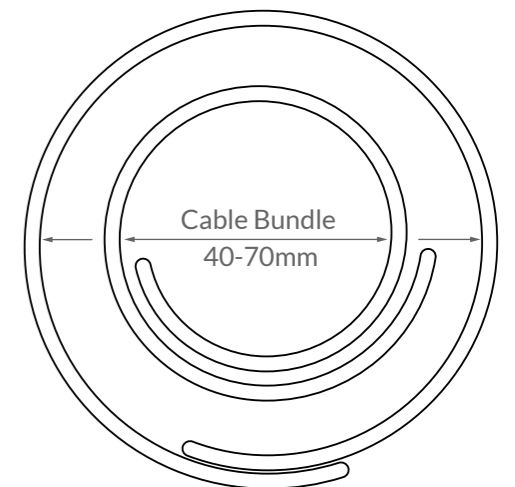
- Effortless 2 minute installation!!
- Fire rated 3D space fabric
- Weighted base
- Quick fit cable clip anchor points
- Excellent for sit stand desks
- BS6396 Compliant (when installed correctly)





A snap shut cable tidy delivering unparalleled installation speed. Available in many off the shelf sizes and also in custom lengths. Robust cable clips top & bottom mean this is a BS6396 compliant cable spine if correctly installed.

- Effortless 2 minute installation!!
- Fire rated 3D fabric
- Weighted base
- Quick fit cable clip anchor points
- Excellent for sit stand desks
- BS6396 Compliant (when installed correctly)



# SnapWrap Pro Jr.

Cable manager

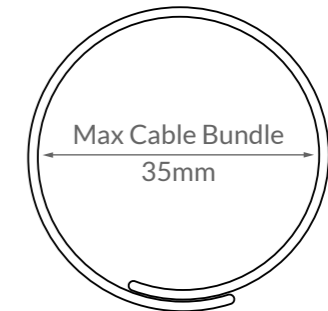
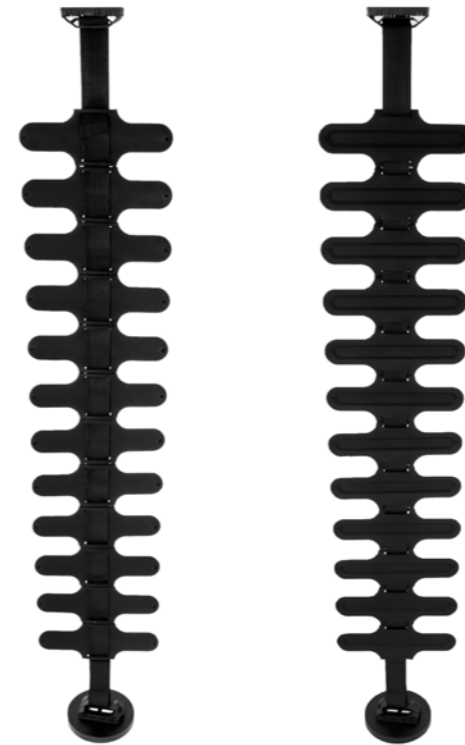


# SnapWrap Pro Jr.

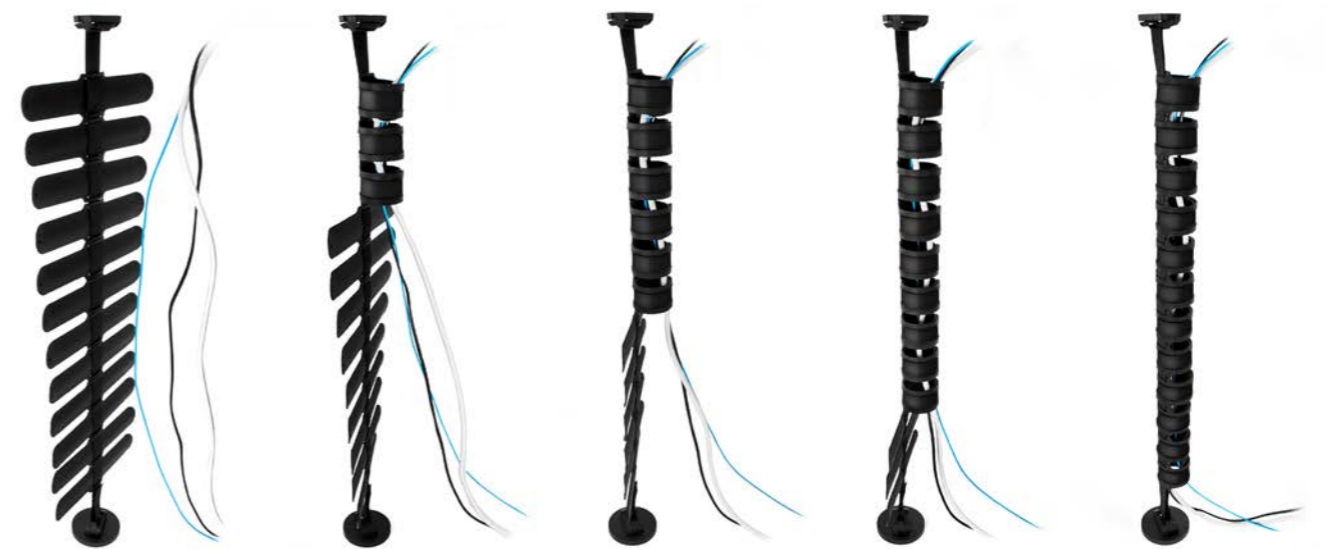
Cable manager



- Effortless 2 minute installation!!
- Magnet or screw bracket option
- Weighted base
- Quick fit cable clip anchor points
- Adjustable length
- BS6396 Compliant (when installed correctly)



Part of the SnapWrap family the Pro Jr. has stylish matt finish spring segments. Clips top & bottom can be quickly fixed to base and desk surface. Robust cable clips top & bottom mean that this product can be installed to be BS6396 compliant.





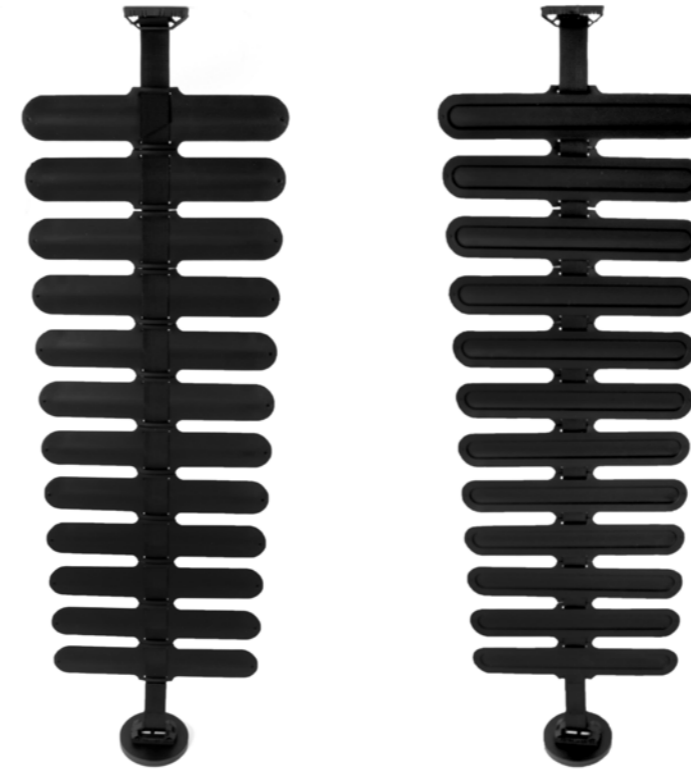
# SnapWrap Pro

Cable management

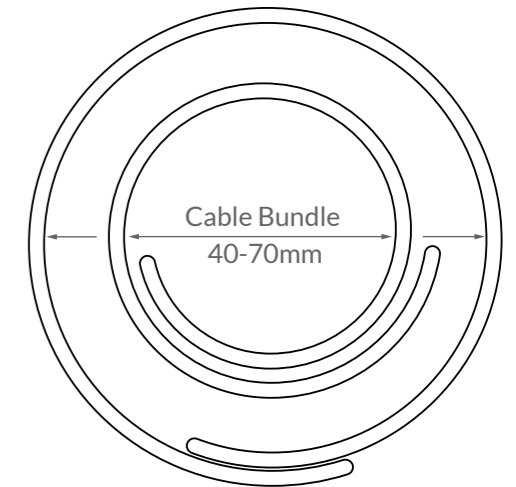


# SnapWrap Pro

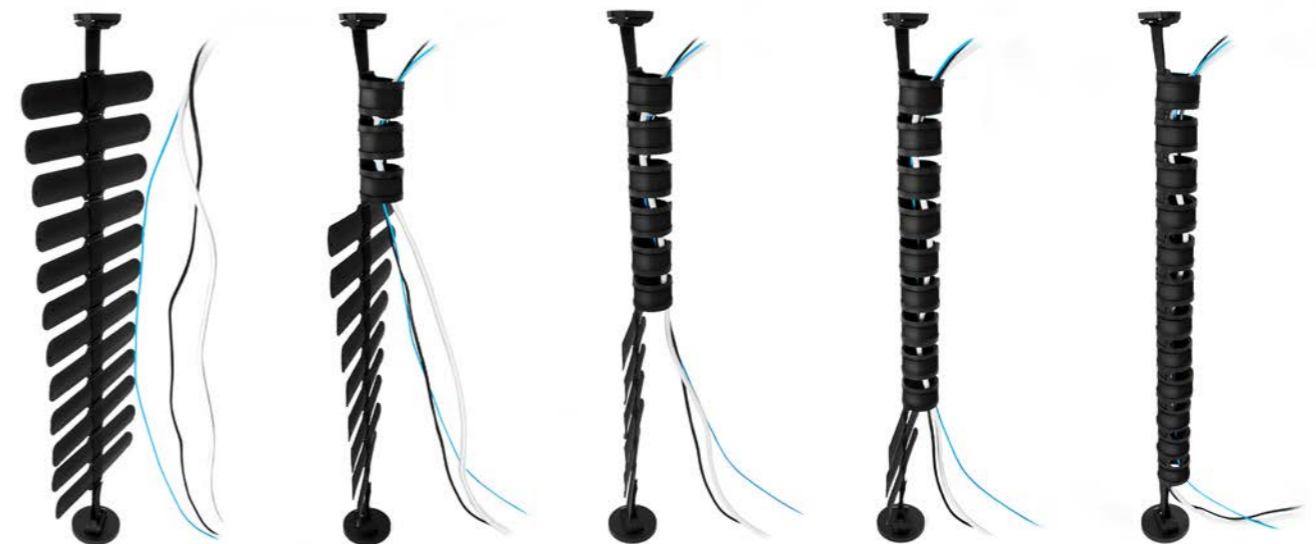
Cable management



- Effortless 2 minute installation!!
- Magnet or screw bracket option
- Weighted base
- Quick fit cable clip anchor points
- Adjustable length
- BS6396 Compliant (when installed correctly)



Part of the SnapWrap family the Pro has stylish matt finish spring segments. Magnetic clips top & bottom can be quickly fixed to base and surface. "Pro" can be fitted in under 2 minutes!



# SnapWrap Elite

Cable management

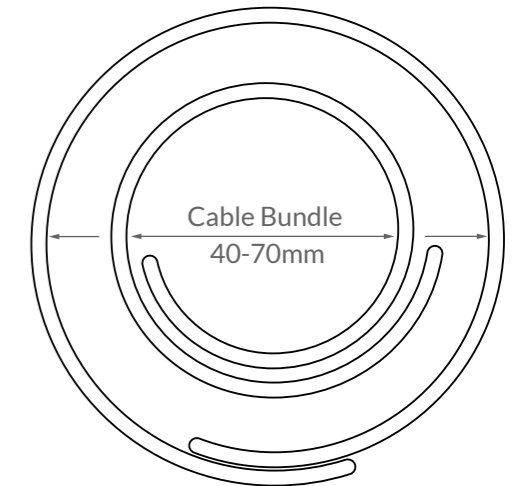


# SnapWrap Elite

Cable management



- Effortless 2 minute installation!!
- Magnet or screw bracket option
- Weighted base
- Quick fit cable clip anchor points
- Adjustable length
- BS6396 Compliant (when installed correctly)



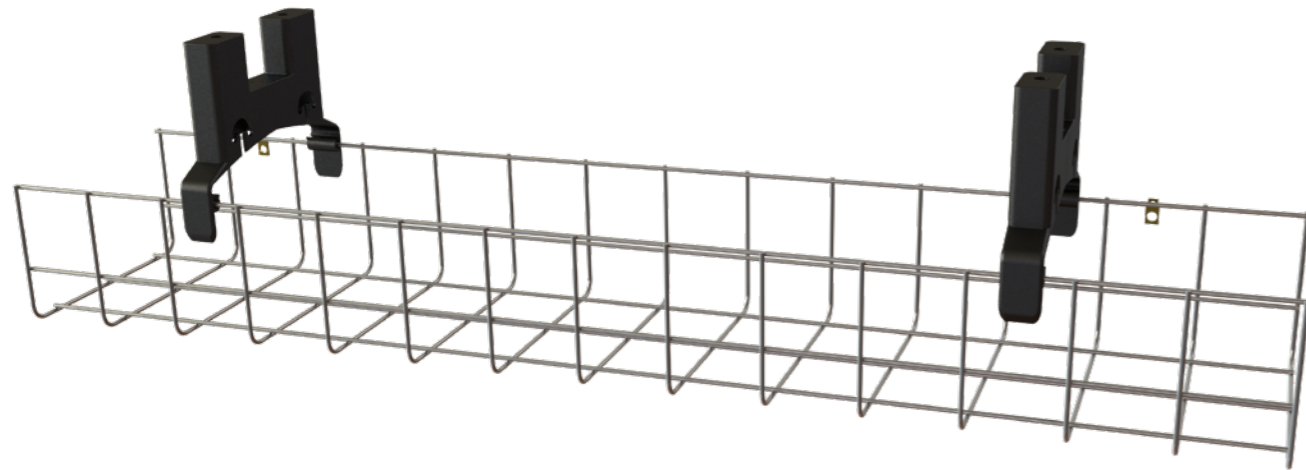
“Elite” is uniquely stylish with each segment revealing a striking metallic strip. Magnetic clips top & bottom can be quickly fixed to base and surface.



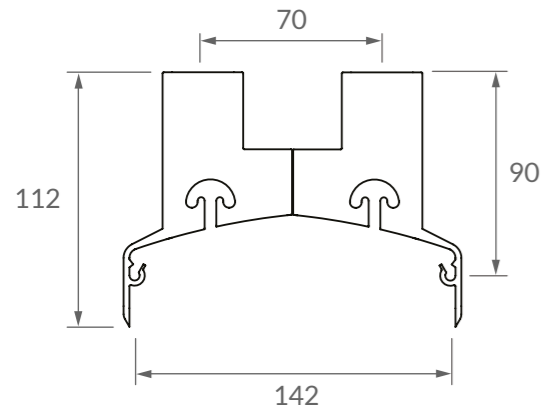


# U-Basket

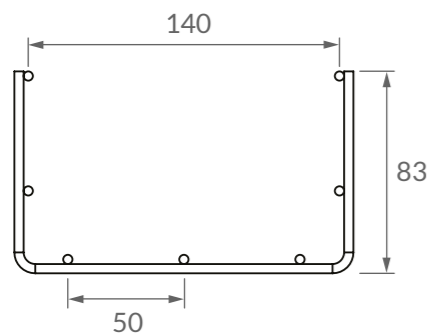
Cable Management



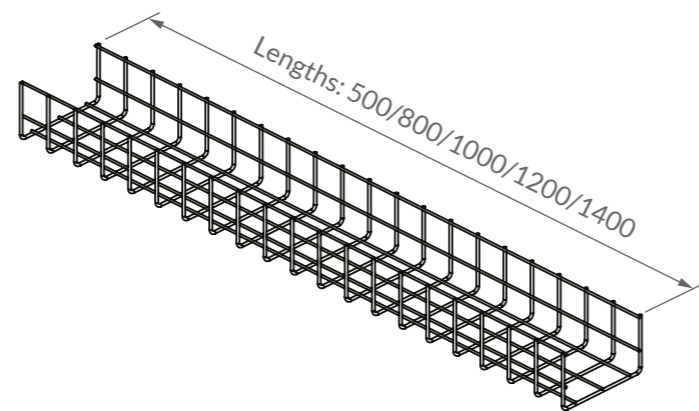
A strong, high capacity, light weight solution for under desk cable management. Attaches to underside of work tops. Perfect to keep cables organised and hold under desk power & data, reducing visual impact. Custom lengths available on request. Hinged mounting allows easy access.



- Easy to fit
- BS6396 Compliant
- Earth Fixing
- Pivots for easy access

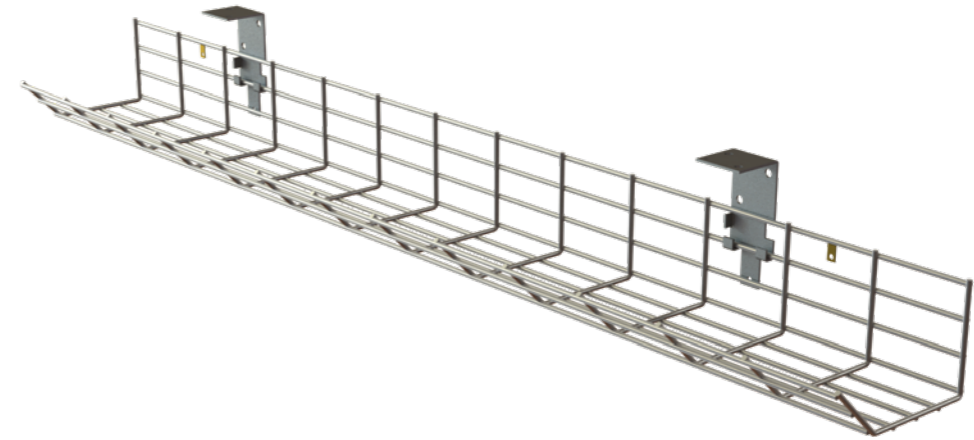


\*All measurements in mm

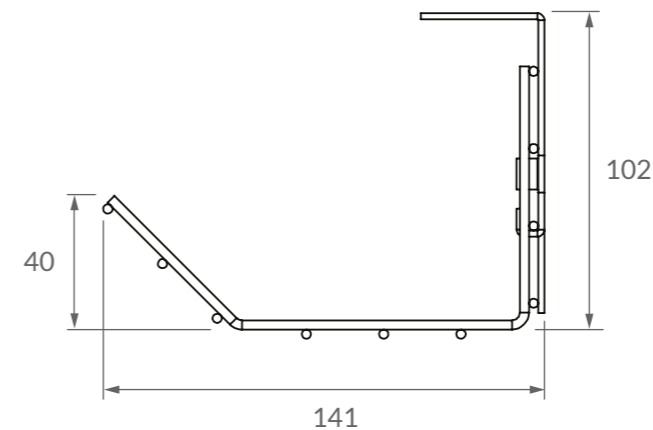
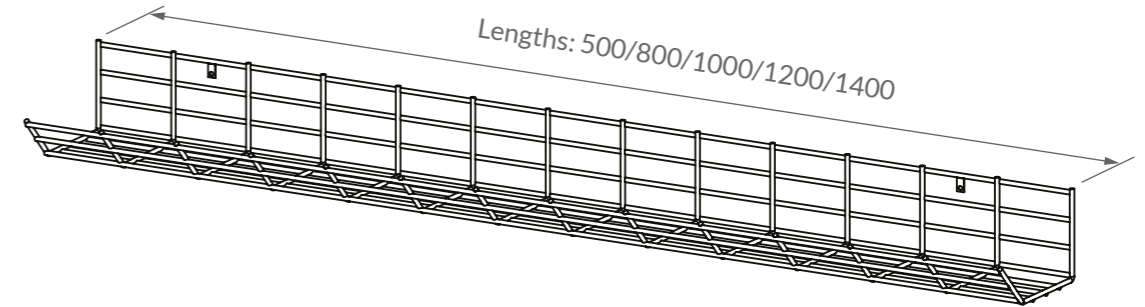


# J-Basket

Cable Management



A strong, light weight solution for under desk cable management. Fits both modesty panels or tops. Easily accessible under desk power/ data, reducing visual impact. Custom lengths are available upon request.

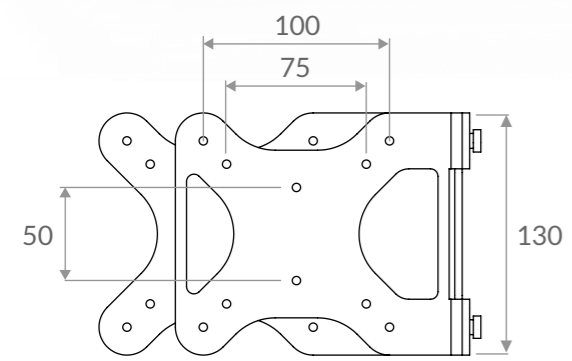
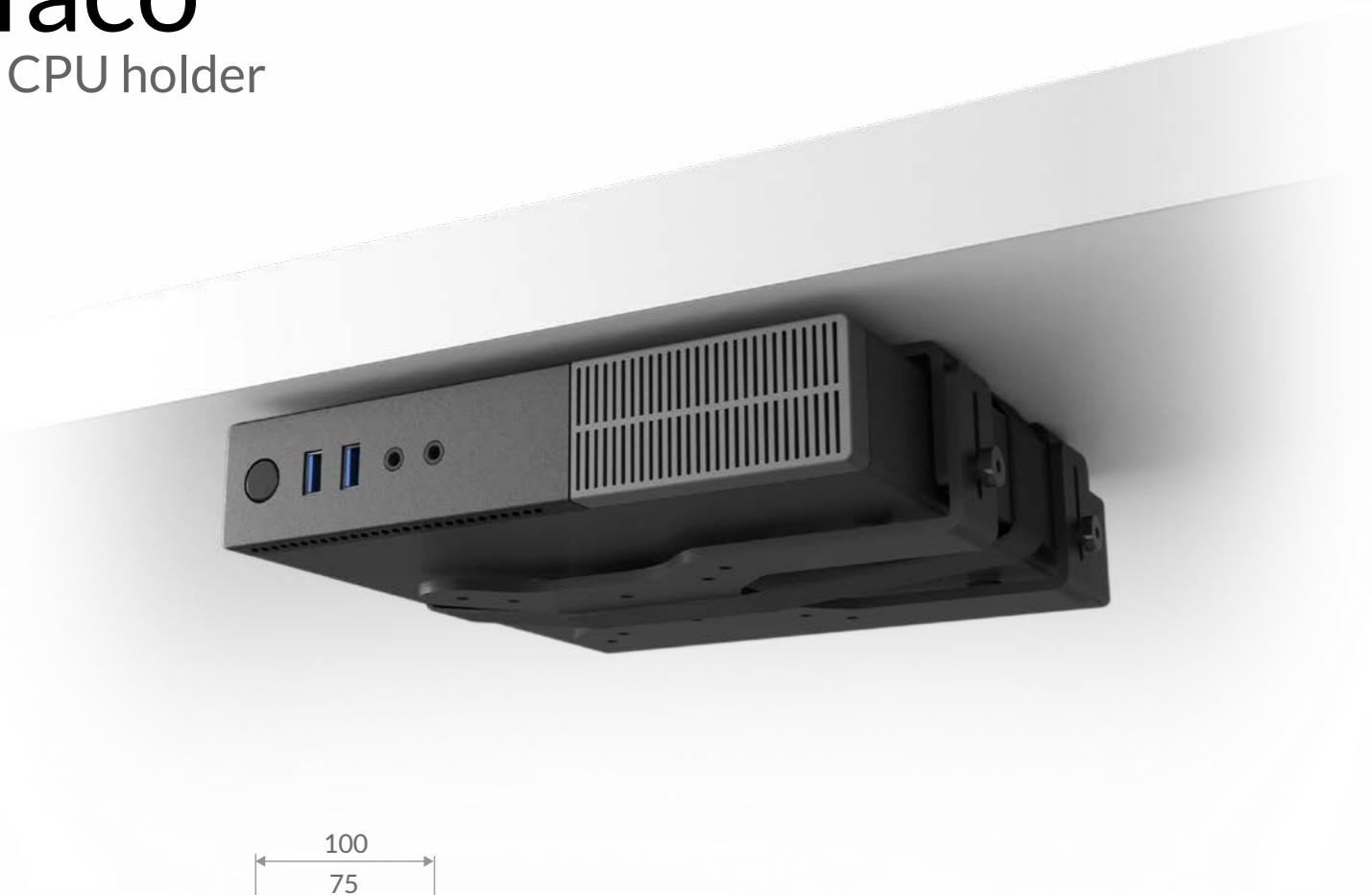


- Easy to fit
- BS6396 Compliant
- Earth Fixing

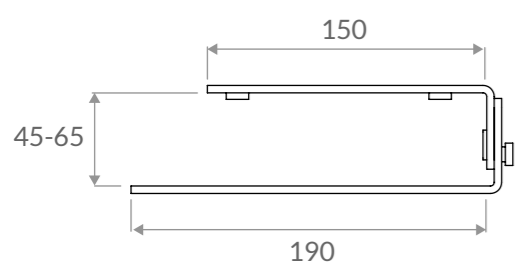
\*All measurements in mm

# Taco

CPU holder



\*Hole Pattern Mirrored on other side



\*All measurements in mm  
\*Length of strap 100mm

- Easy adjustment
- Soft grip pads
- Open design aids cooling
- Desktop or side panel fixing
- Safety screw position locks

The Taco CPU holder is carefully designed to keep your CPU safe in a space saving manner. Designed to fit a majority of small scale CPU's the Taco is available in black, other colours available on request. Taking CPUs up to 68mm thick it screws to surfaces and is bound for extra security with a buckle strap.

