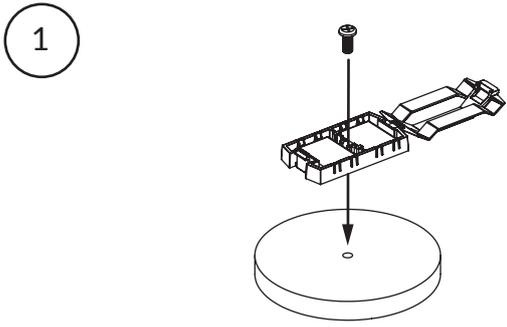


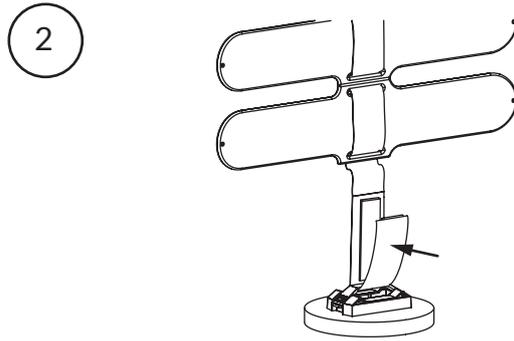
# Snap Wrap Pro

O & M Manual

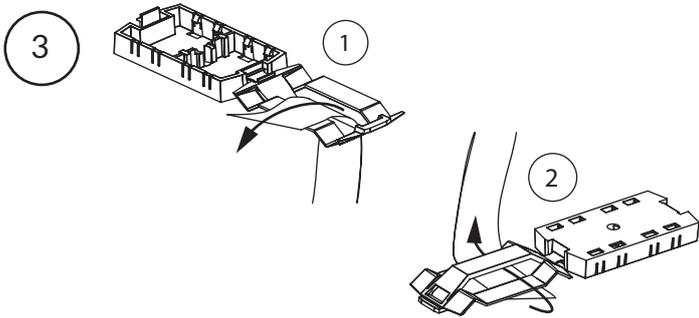
Cleaning Guidelines:  
Only use non-solvent based cleaner



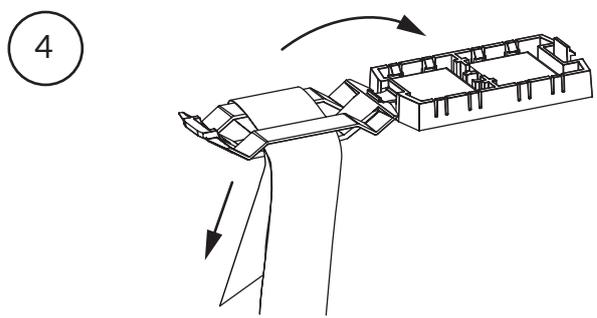
1  
Attach Magnet to Base with Screws.



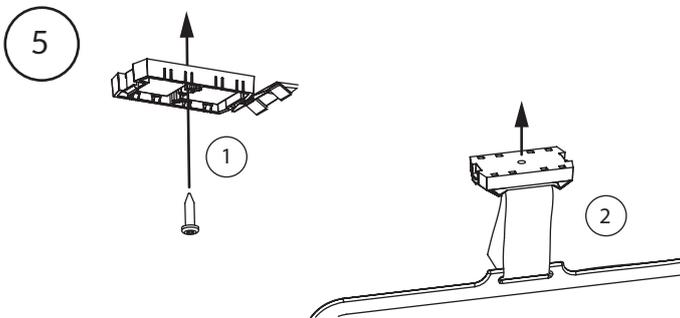
2  
Attach Velcro loop through Magnet clip.



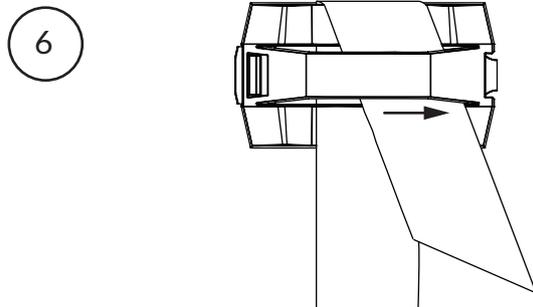
3  
Weave top ribbon through magnet clip as pictured.



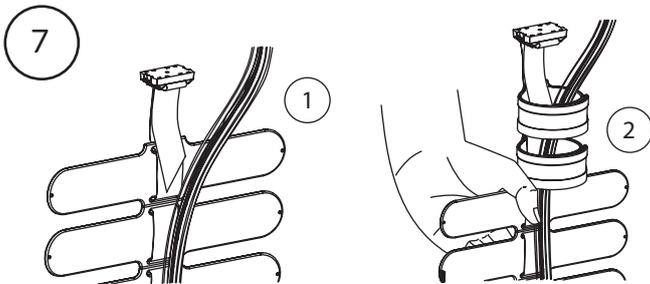
4  
Pull ribbon tight. Close Magnet Clip.



5  
Attach top magnet clip by either screwing to surface or attaching using magnets.



6  
Pull Ribbon into notch to lock off.



7  
Bundle cables together. Close each link section around the cables.

## Add/ Remove Link:

Weave ribbon through link as pictured.

