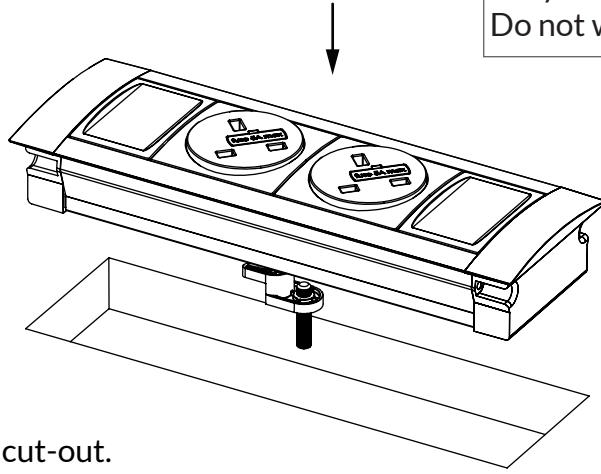


Mirage - In Desk

O & M Manual

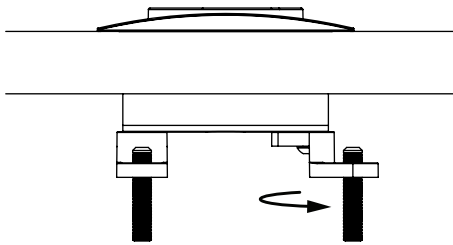
Cleaning Guidelines:
Only use non-solvent based cleaner
Do not wet power sockets

1



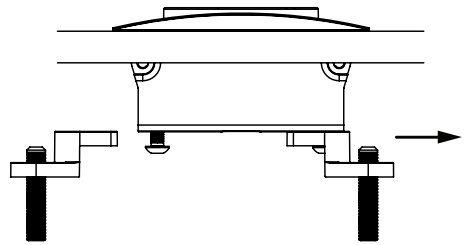
Position Mirage unit inside desk cut-out.

2A For Desktop Thickness: 15-45mm



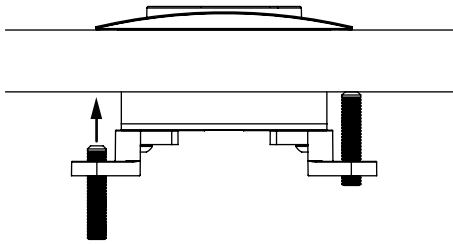
Swivel brackets out from module.

2B For Desktop Thickness: 0-15mm



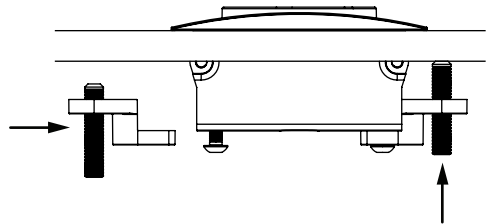
Remove brackets from module.

3A



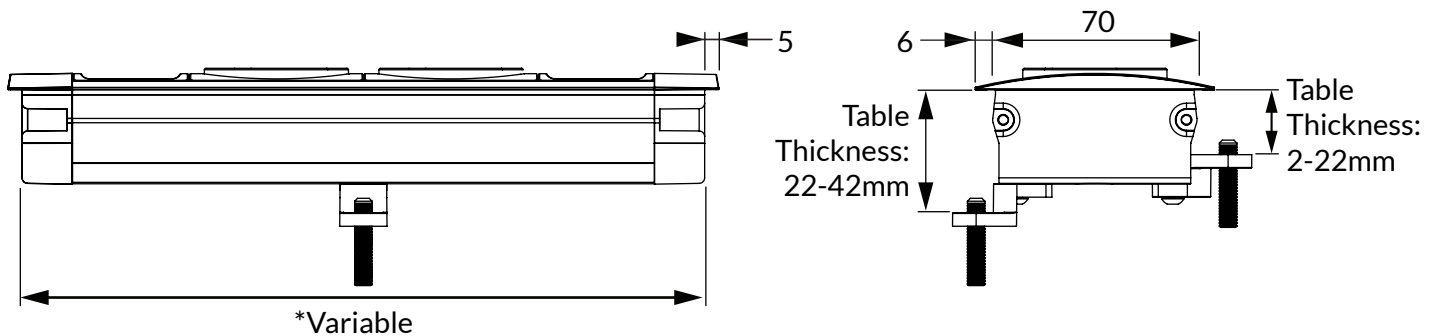
Tighten screws against table.

3B



Attach brackets, tighten screws against table.

Dimensions:



Cleaning Guidelines:
Only use non-solvent based cleaner
Do not wet power sockets

Clamp Width:

