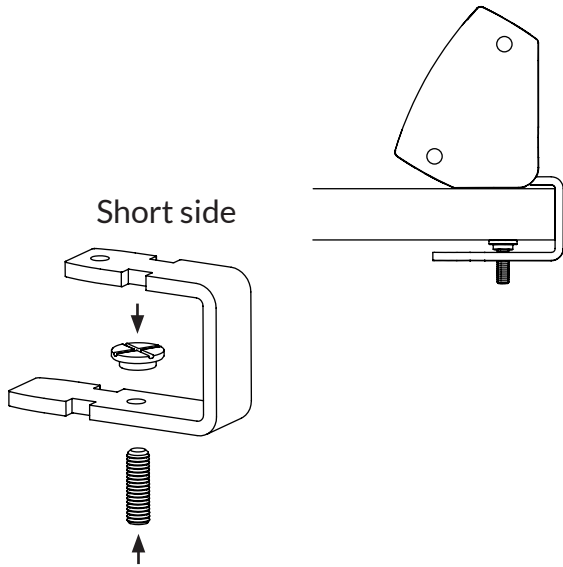


# Median - Clamp Installation

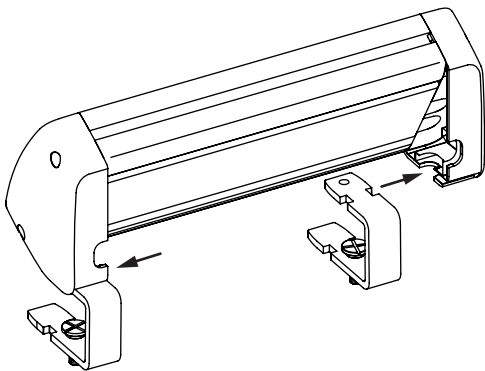
## O & M Manual

Cleaning Guidelines:  
Only use non-solvent based cleaner  
Do not wet power sockets

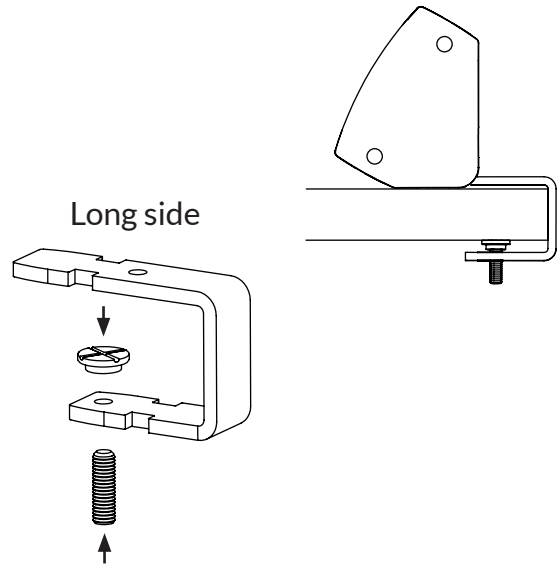
### 1.a Flush Clamp



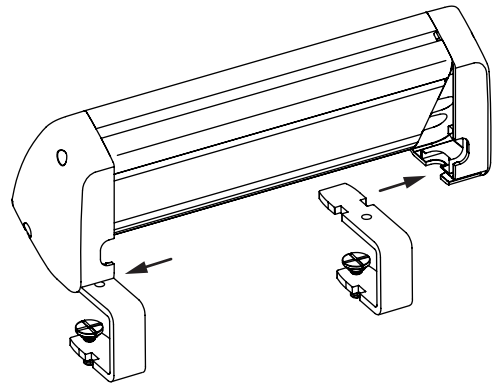
Insert short side of clamp into right and left end-caps.



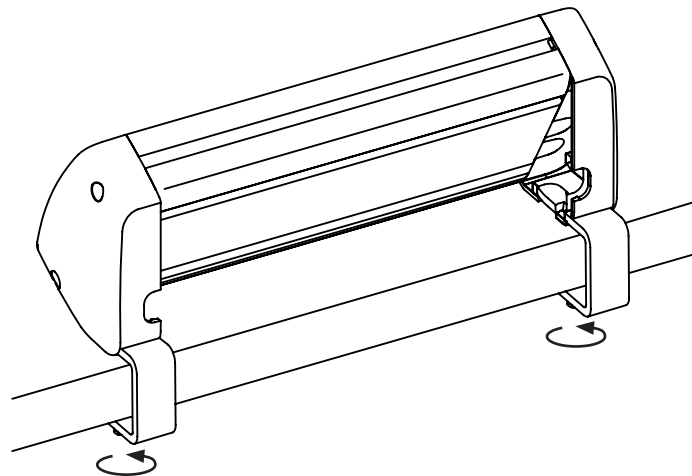
### 1.b Inset Clamp



Insert long side of clamp into right and left end-caps.



### 2



Attach unit by tightening screws to underside of table.