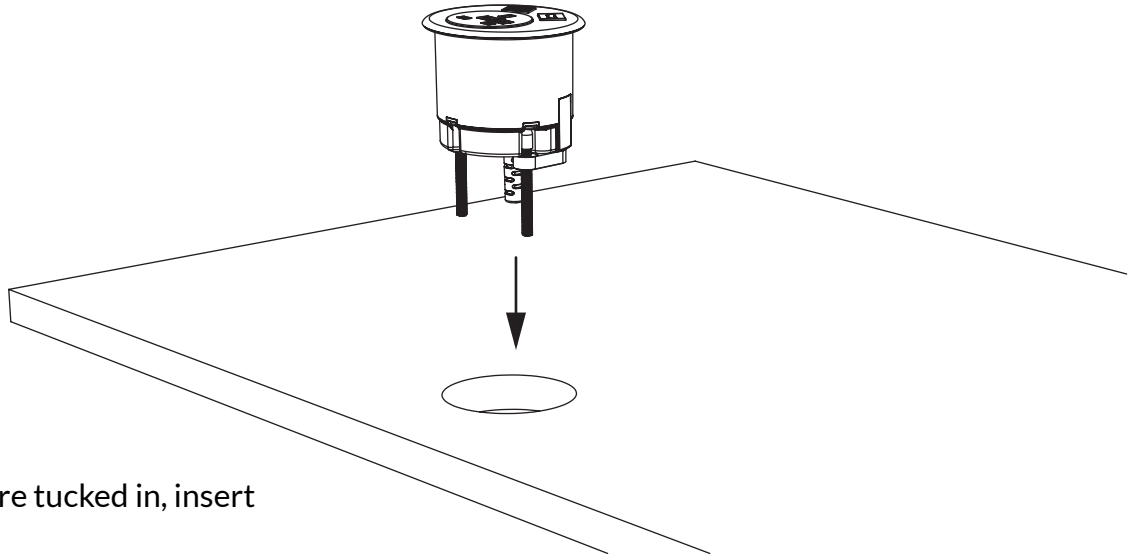


Eyelet - Round

O & M Manual

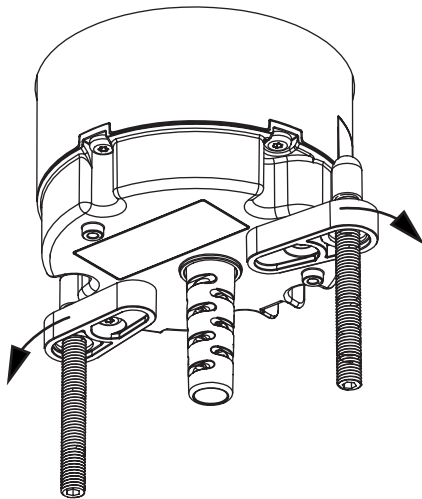
Cleaning Guidelines:
Only use non-solvent based cleaner
Do not wet power sockets

1



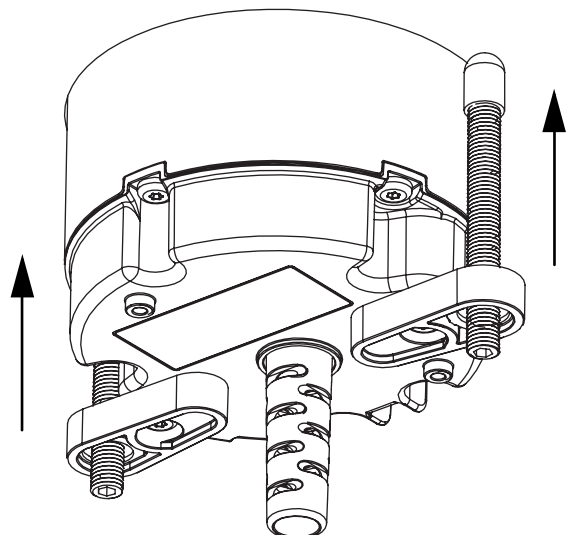
Make sure screws are tucked in, insert unit into hole.

2



Once located in hole, swivel "wings" out until they've popped into position.

3



Tighten screws up against underside of desk/table top.