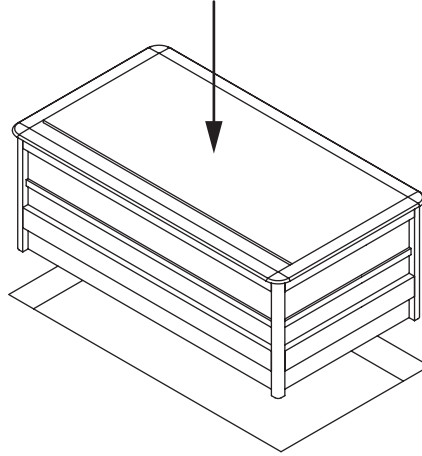


Cove - In Desk

O & M Manual

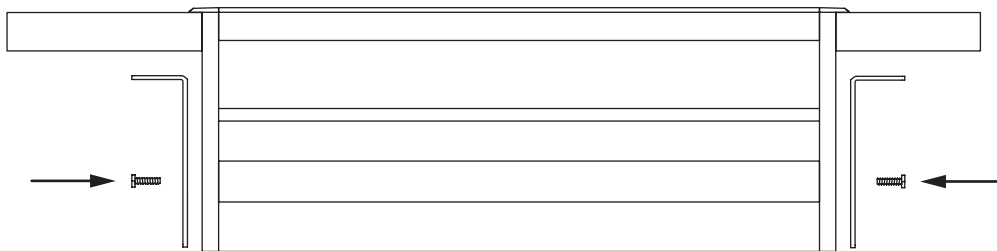
Cleaning Guidelines:
Only use non-solvent based cleaner
Do not wet power sockets

1



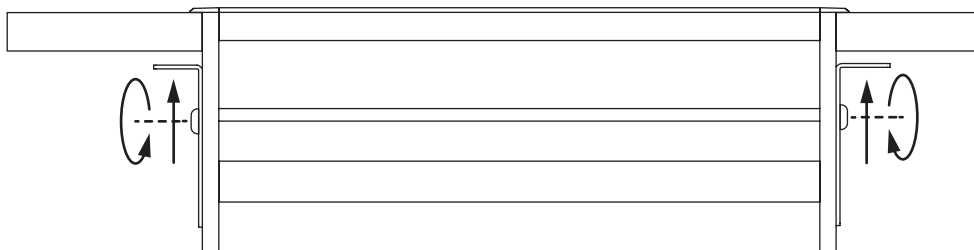
Position unit inside desk cut-out.

2



Loosely attach I-bracket to side of unit, fastening screws into nuts located in wall.

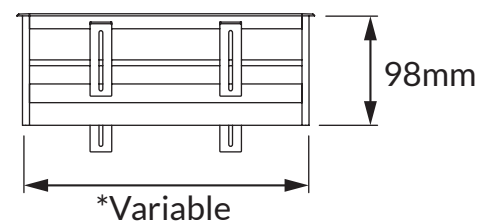
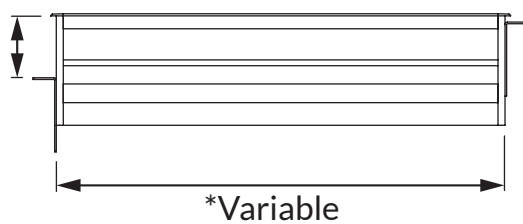
3



Place I-brackets against underside of desk, secure in position by tightening screws.

Dimensions:

Table Thickness:
6-55mm



Cleaning Guidelines:
Only use non-solvent based cleaner
Do not wet power sockets

Clamp width:

