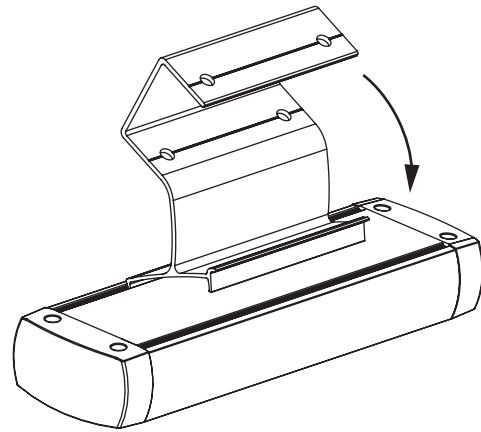


Cobble - Clamp

O & M Manual

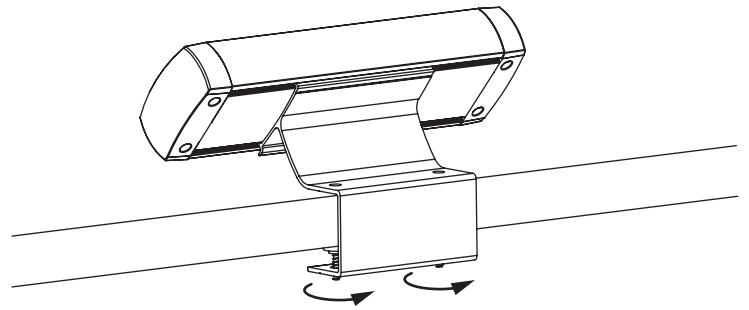
Cleaning Guidelines:
Only use non-solvent based cleaner
Do not wet power sockets

1



Attach clamp by clipping into grooves on back of unit.

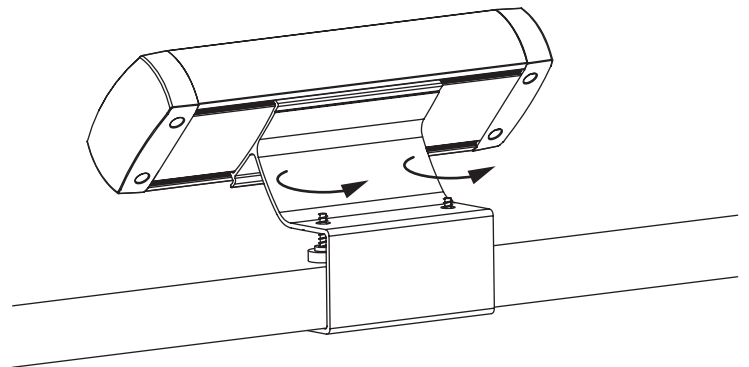
2



Attach unit by tightening screws securely against table, do not overtighten.

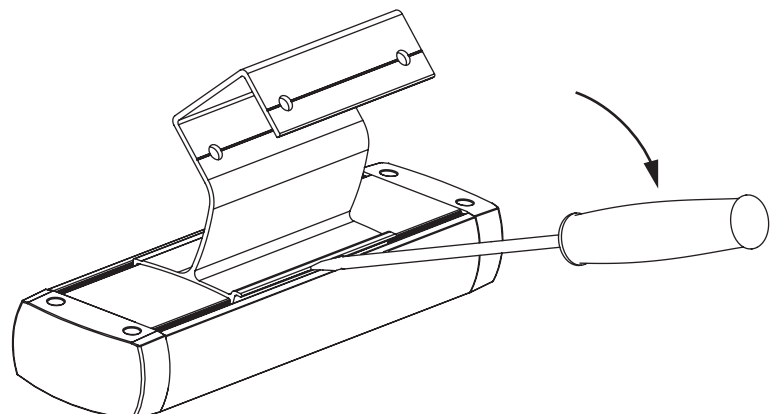
For sliding tables:

Attach unit by tightening screws from top against table by finger tightening.



To remove clamp:

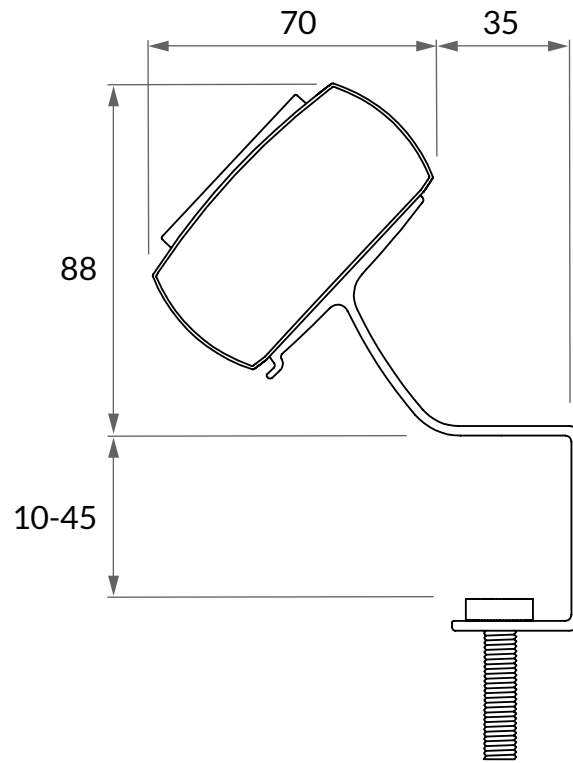
Remove clamp by using tool to leverage, then push down to click apart.



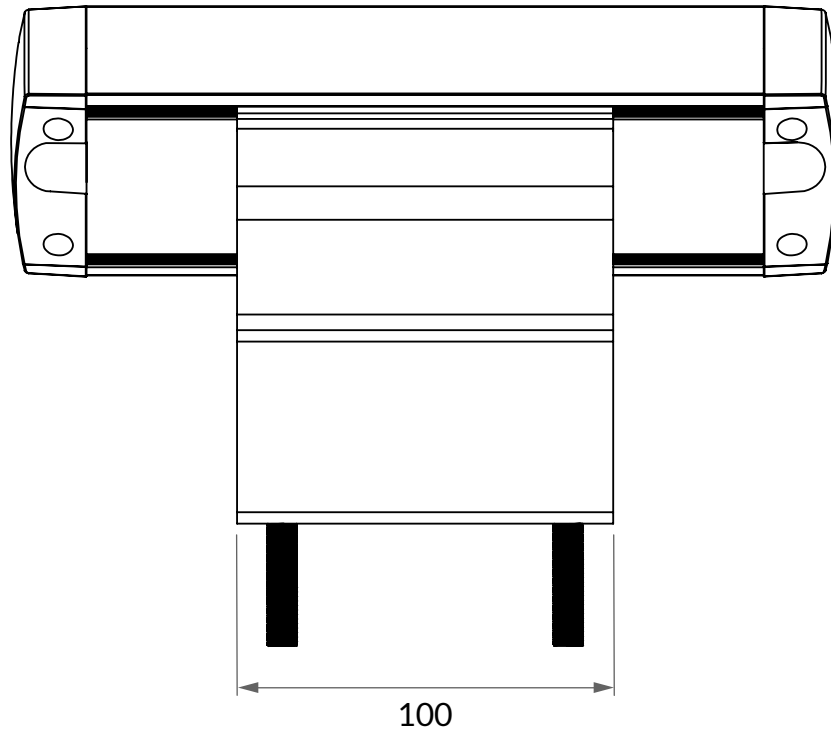
Cobble - Clamp

O & M Manual

Cleaning Guidelines:
Only use non-solvent based cleaner
Do not wet power sockets



* All measurements in mm



* All measurements in mm