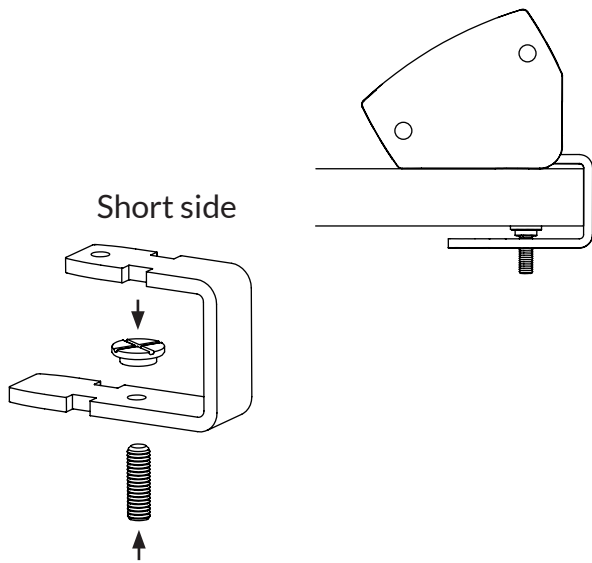


Boulder - Clamp

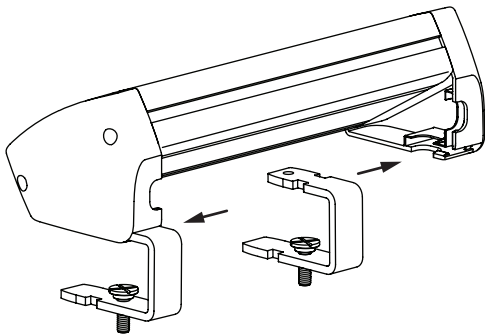
O & M Manual

Cleaning Guidelines:
Only use non-solvent based cleaner
Do not wet power sockets

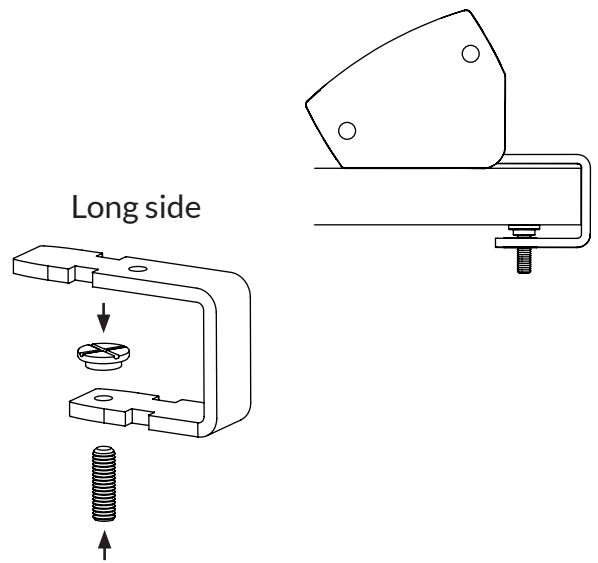
1.a Flush Clamp



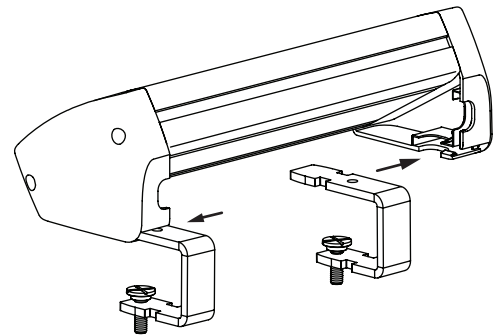
Insert short side of clamp into right and left end-caps.



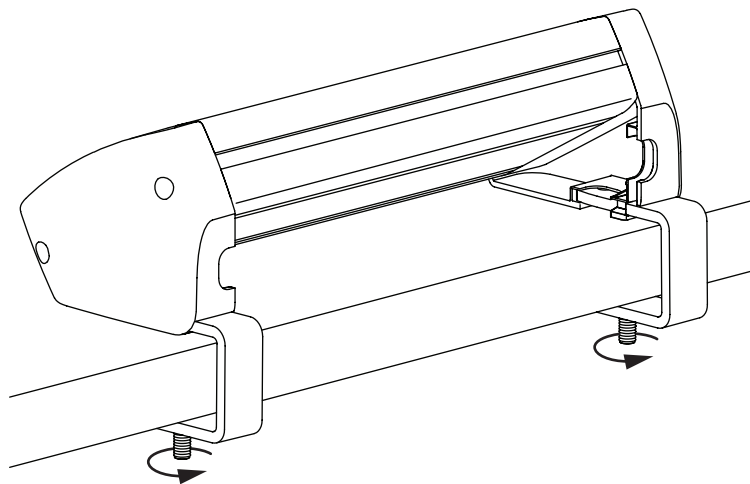
1.b Inset Clamp



Insert long side of clamp into right and left end-caps.



2



Attach unit by tightening screws to underside of table.